

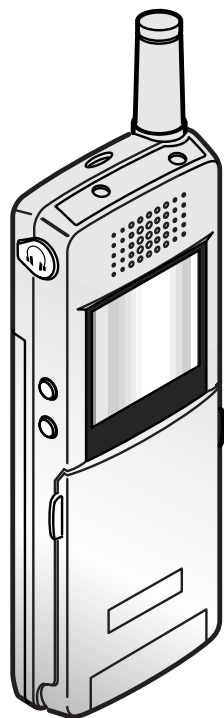
**SAMSUNG**

# DUAL BAND Mobile SGH-N200

by Toko ([www.gsm-free.com](http://www.gsm-free.com))

# SERVICE Manual

DUAL BAND Mobile Cellular Phone



CONTENTS

1. Exploded Views and Parts List
2. PCB Diagrams
3. Electrical Parts List
4. Block Diagrams
5. Flow chart of trouble shooting

---

## 1. Exploded Views and Parts List

- 1-1 **Main**
- 1-2 **Main Parts List**
- 1-3 **Travel Adapter**
- 1-4 **Travel Adapter Parts List**
- 1-5 **Cigar Light Adapter**
- 1-6 **Cigar Light Adapter Parts List**
- 1-7 **Test Jig**
  - 1-7-1 **Test Jig**
- 1-8 **Wearable EAR Microphone**
- 1-9 **Data Kit**
- 1-10 **Battery Charger**

## 2. PCB Diagrams

- 2-1 **Main Top**
- 2-2 **Main Bottom**

## 3. Electrical Parts List

- 3-1 **Main Parts List Top**
- 3-2 **Main Parts List Bottom**

## 4. Block Diagrams

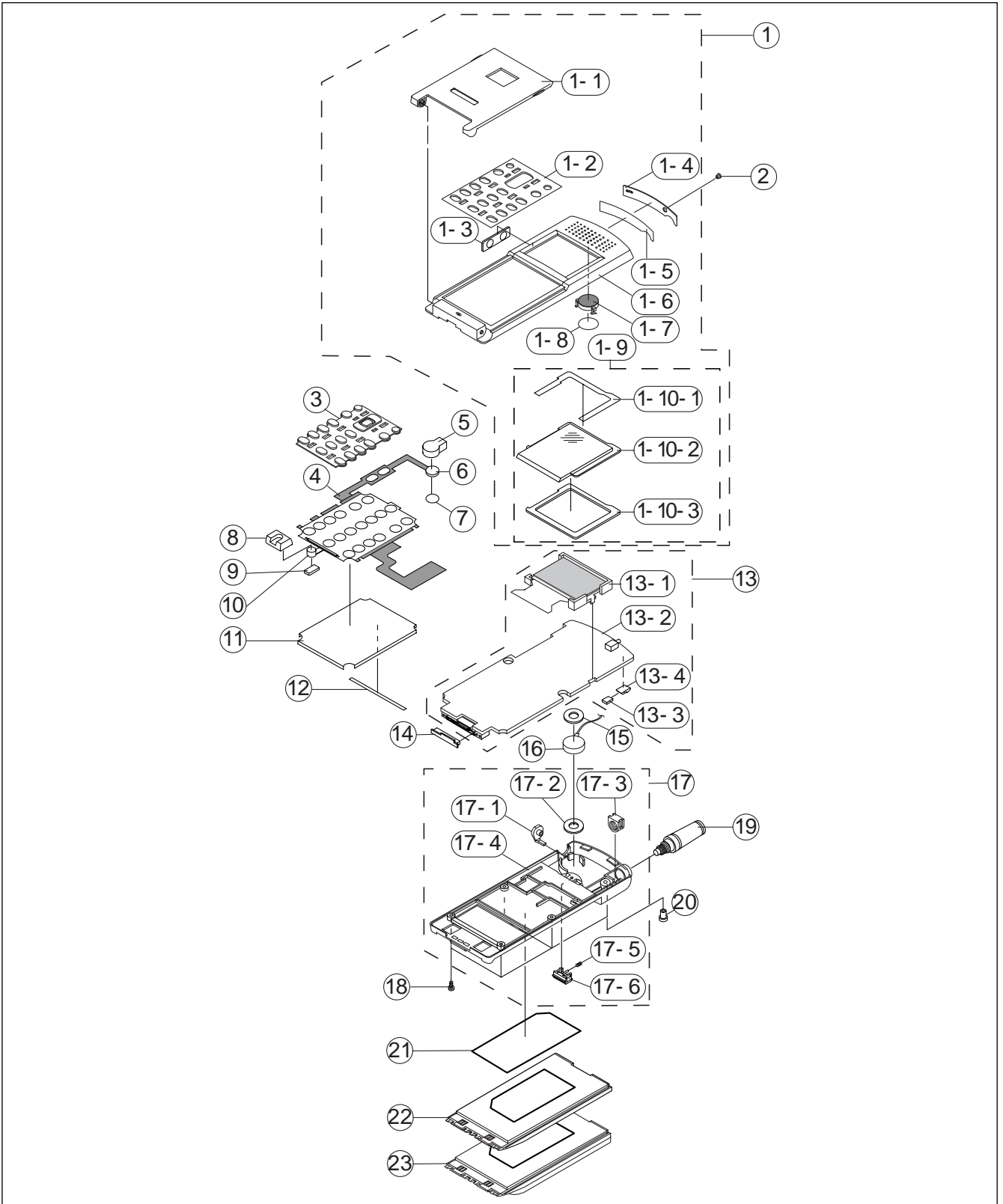
- 4-1 **Main Base Band**
- 4-2 **Main RF**
  - 4-2-1 **RF Tx Part**
  - 4-2-2 **RF Rx Part**

## 5. Flow chart of trouble shooting

- 5-1 **Power ON**
  - 5-2 **Initial**
  - 5-3 **Charging Part**
  - 5-4 **Sim Part**
  - 5-5 **Microphone Part**
  - 5-6 **Speaker Part**
  - 5-7 **Key Data Input**
  - 5-8 **Alert tone**
  - 5-9 **Ring Indicator**
  - 5-10 **Back Light**
  - 5-11 **GSM Receiver**
  - 5-12 **GSM Transmit**
  - 5-13 **DCS Receiver**
  - 5-14 **DCS Transmit**
-

# 1. Exploded Views and Parts List

## 1-1 Main (SGH-N200)



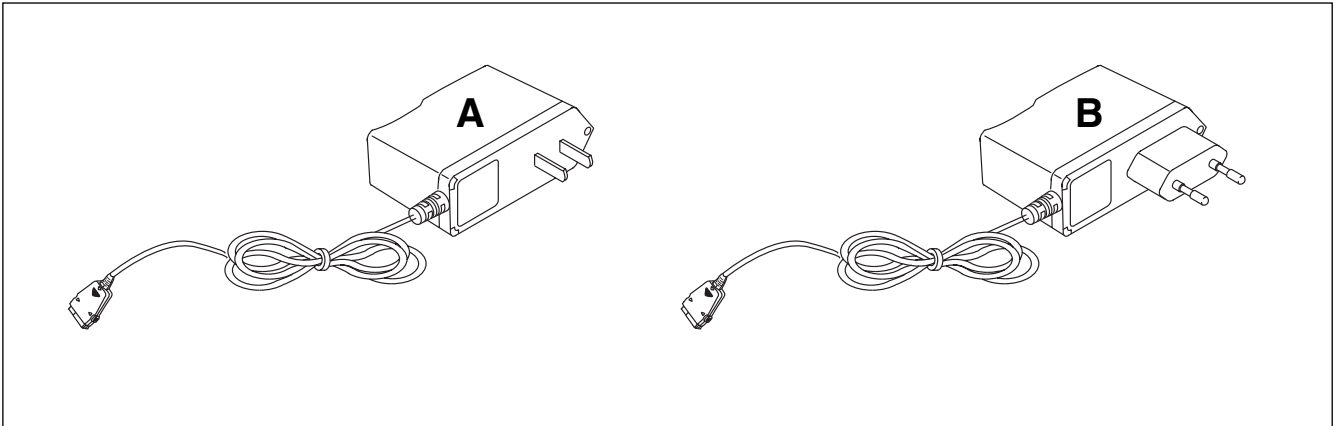
## 1-2 Main Parts List

NO	PARTS NAME	SEC CODE				Q'TY	REMARK	
		GOLD	D/GREY	BLUE	MET/GRAY			
1	1	FRONT ASS'Y	GH75-00985A	GH75-00985B	GH75-00985C	GH75-00985D	1	SA
	1-1	FLIP ASS'Y	GH75-00986A	GH75-00986B	GH75-00986C	GH75-00986D	1	SA
	1-2	FACE-KEY	GH72-02115B	GH72-02115B	GH72-02115B	GH72-02115B	1	SNA
	1-3	VOLUME-KEY	GH72-02117A	GH72-02117A	GH72-02117A	GH72-02117A	1	SA
	1-4	TOP DUMMY	GH72-02114A	GH72-02114A	GH72-02114A	GH72-02114A	1	SNA
	1-5	TAPE-TOP	GH74-01066A	GH74-01066A	GH74-01066A	GH74-01066A	1	SNA
	1-6	FRONT COVER	GH72-02105A	GH72-02105B	GH72-02105C	GH72-021055D	1	SNA
	1-7	SPEAKER	3001-001199	3001-001199	3001-001199	3001-001199	1	SA
	1-8	SPONGE-SPK	GH74-01270A	GH74-01270A	GH74-01270A	GH74-01270A	1	SA
	1-9	WINDOW ASS'Y	GH75-00935B	GH75-00935B	GH75-00935B	GH75-00935B	1	SA
	1-9-1	SPONGE-LCD	GH74-01064A	GH74-01064A	GH74-01064A	GH74-01064A	1	SNA
	1-9-2	WINDOW-LCD	GH72-02113B	GH72-02113B	GH72-02113B	GH72-02113B	1	SNA
	1-9-3	TAPELCD	GH74-01068A	GH74-01068A	GH74-01068A	GH74-01068A	1	SNA
2	MOBILE-CAP	GH73-00585A	GH73-00585A	GH73-00585A	GH73-00585A	1	SA	
3	KEY-MAIN	GH72-02116F	GH72-02116C	GH72-02116C	GH72-02116F	1	SA	
4	KEY-PCB	GH59-00167B	GH59-00167B	GH59-00167B	GH59-00167B	1	SA	
5	BUZZER-RUBBER	GH73-00584A	GH73-00584A	GH73-00584A	GH73-00584A	1	SA	
6	BUZZER	3002-001107	3002-001107	3002-001107	3002-001107	1	SA	
7	SUPPORT-BUZZER	GH74-01268A	GH74-01268A	GH74-01268A	GH74-01268A	1	SNA	
8	MIC-RUBBER	GH73-00583A	GH73-00583A	GH73-00583A	GH73-00583A	1	SA	
9	SUPPORT-MIC	GH74-01269A	GH71-01269A	GH71-01269A	GH71-01269A	1	SNA	
10	MIC	3003-001052	3003-001052	3003-001052	3003-001052	1	SA	
11	FRAME-KEY	GH71-00381A	GH71-00381A	GH71-00381A	GH71-00381A	1	SA	
12	SUPPORT-LCD	GH73-00632A	GH73-00632A	GH73-00632A	GH73-00632A	1	SNA	
13	13	PBA-MAIN	GH82-00069A	GH82-00069A	GH82-00069A	GH82-00069A	1	SA
	13-1	LCD	GH07-00061C	GH07-00061C	GH07-00061C	GH07-00061C	1	SA
	13-2	CONTACT RUBBER	GH73-00106A	GH73-00106A	GH73-00106A	GH73-00106A	1	SNA
	13-3	ANT CONTACT	GH71-00383A	GH71-00383A	GH71-00383A	GH71-00383A	1	SA
14	COVER CONN	GH73-00678A	GH73-00678B	GH73-00678B	GH73-00678A	1	SA	
15	SPONGE-MOTOR	GH74-01065A	GH74-01065A	GH74-01065A	GH74-01065A	1	SA	
16	MOTOR	GH31-00023A	GH31-00023A	GH31-00023A	GH31-00023A	1	SA	
17	17	REAR ASS'Y	GH75-01175A	GH75-01175A	GH75-01175A	GH75-01175A	1	SA
	17-1	EAR-JACK	GH73-00582A	GH73-00582A	GH73-00582A	GH73-00582A	1	SA
	17-2	TAPE MOTOR	GH74-01067A	GH74-01067A	GH74-01067A	GH74-01067A	1	SNA
	17-3	ANT-BRAEKET	GH71-00382A	GH71-00382A	GH71-00382A	GH71-00382A	1	SNA
	17-4	REAR COVER	GH72-02680A	GH72-02680A	GH72-02680A	GH72-02680A	1	SNA
	17-5	LOCKER-SPRING	GH61-00009A	GH61-00009A	GH75-00076A	GH61-00009A	1	SNA
	17-6	LOCKER	GH72-02108A	GH72-02108B	GH75-00077A	GH72-02108A	1	SNA
18	SCREW	6001-000464	6001-000464	GH75-00078A	6001-000464	5	SA	
19	ANTENNA	GH42-00092A	GH42-00092B	GH75-00079A	GH42-00092A	1	SA	
20	REAR-CAP	GH73-00660A	GH73-00660B	GH75-00080A	GH73-00660A	1	SA	
21	MAIN-LABEL	GH68-01641C	GH68-01641C	GH68-01641C	GH68-01641C	1	SA	
22	BATT.SLIM	GH43-00342A	GH43-00342B	GH75-00082A	GH43-00342A	1	SA	
23	BATT.STD	GH43-00343A	GH43-00343B	GH75-00083A	GH43-00343A	1	SA	

---

## 1-3 Travel Adapter

---



## 1-4 Travel Adapter Parts List

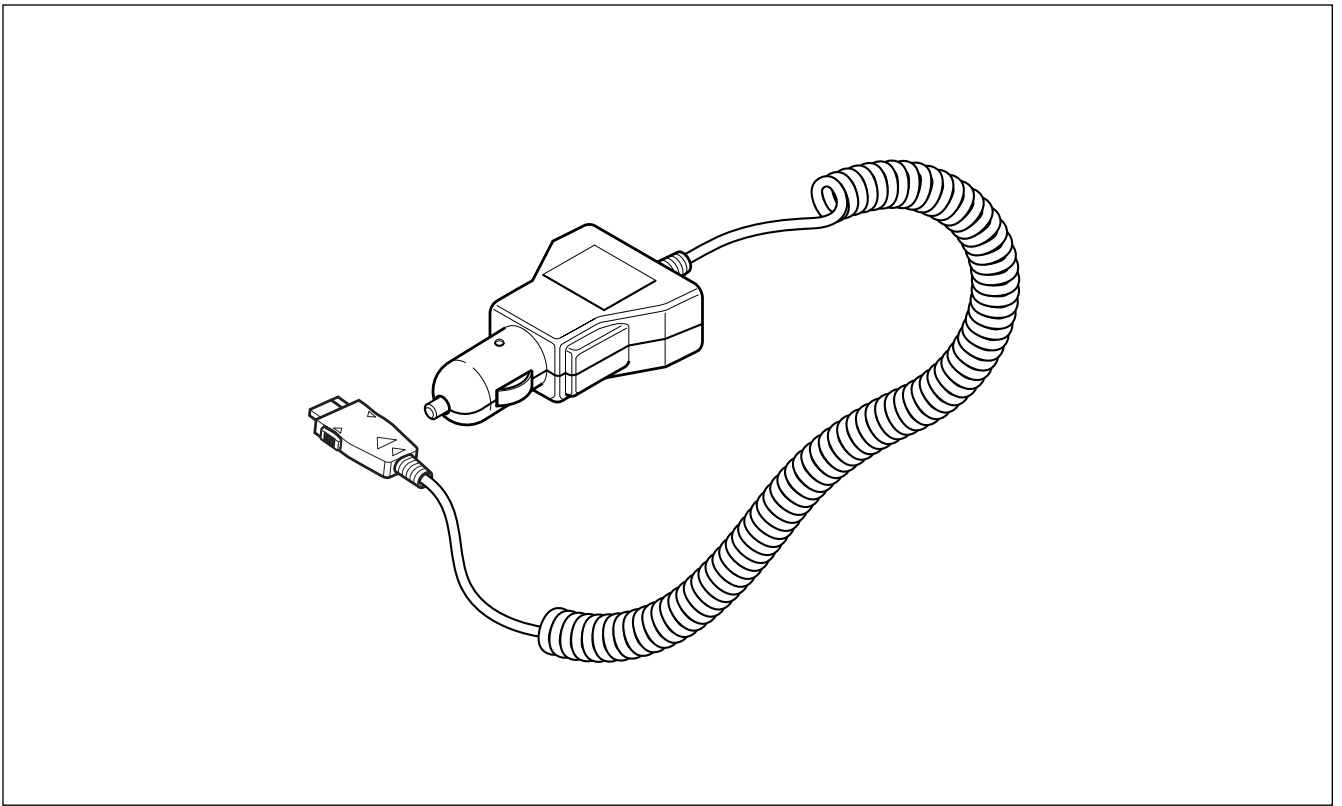
---

TYPE	SEC CODE	REMARK
A	GH44-00171A	CHINA
B	GH44-00184A	EUROPE

---

## 1-5 Cigar Light Adapter

---

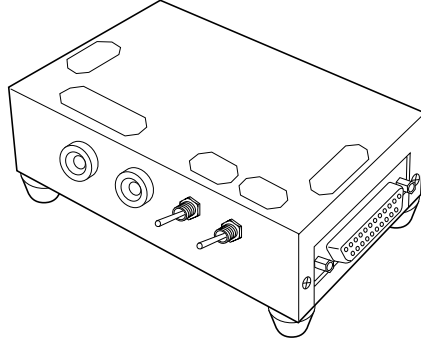


## 1-6 Cigar Light Adapter Parts List

---

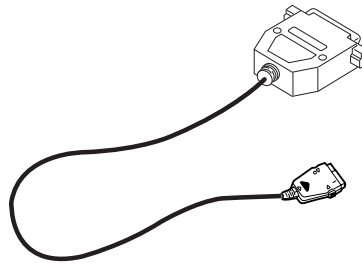
DESCRIPTION	SEC CODE	REMARK
Ciger Light Adapter Code	GH44-00170A	BLACK

## 1-7 Test Jig



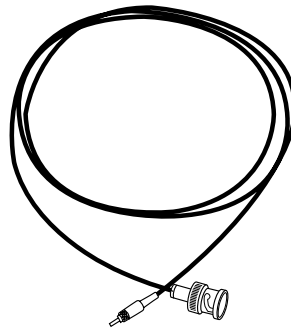
TEST JIG

GH80-10508A



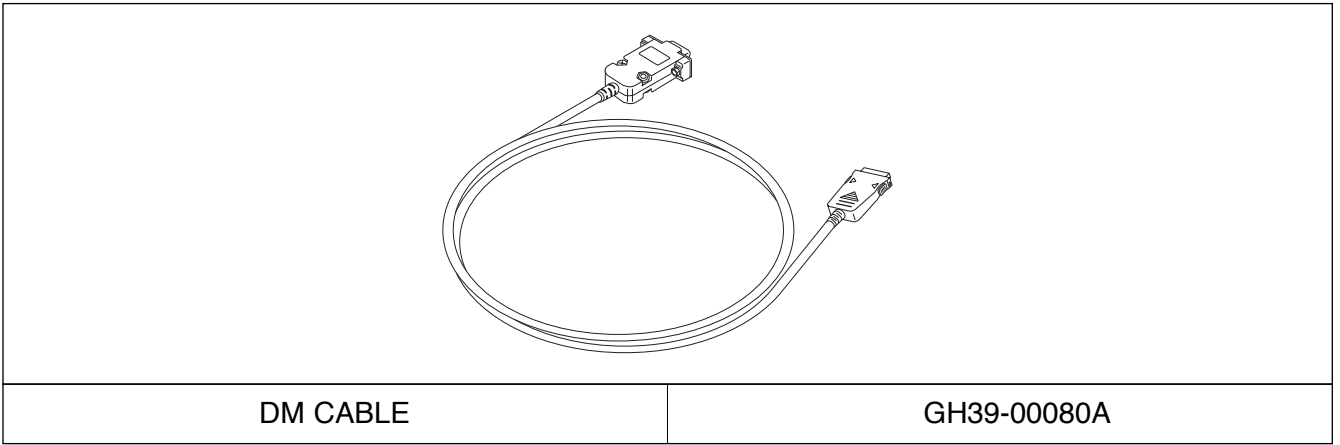
TEST JIG CABLE

GH39-00079A

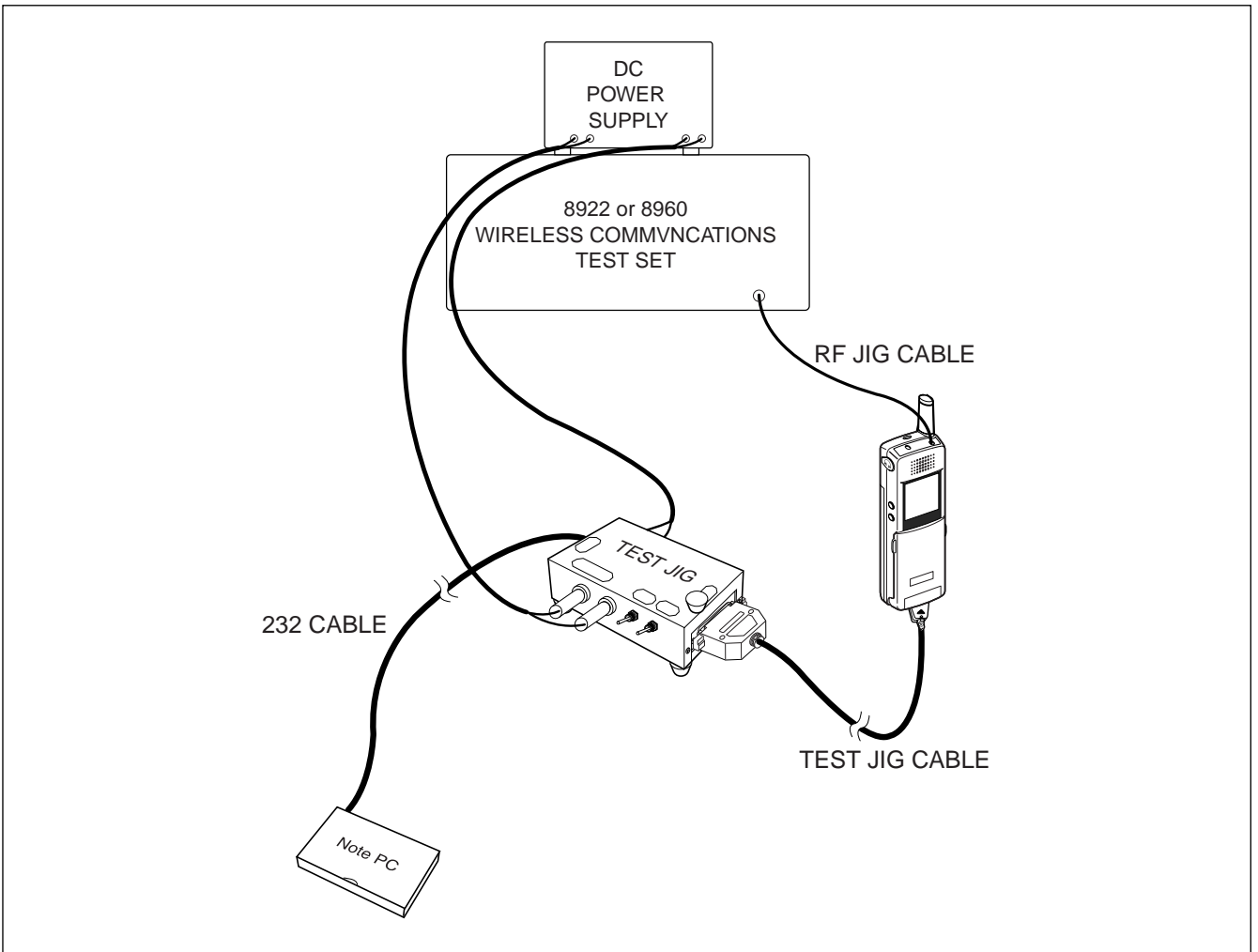


RF JIG CABLE

GH39-00089A



### 1-7-1 Test Jig

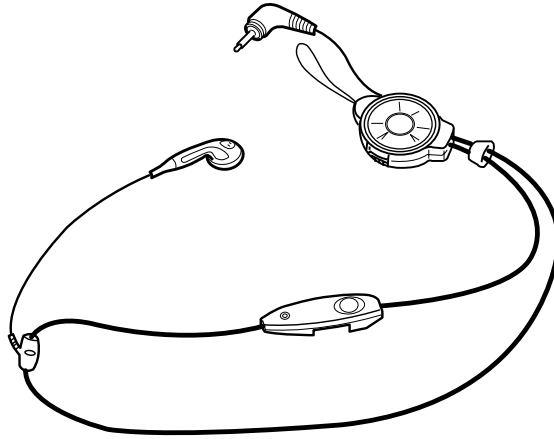




---

## 1-8 Wearable EAR Microphone

---



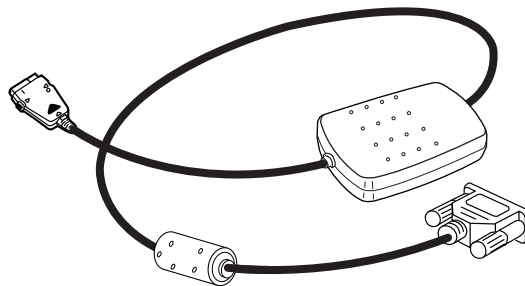
Wearable EAR Microphone

GH59-00168A

---

## 1-9 Data Kit

---



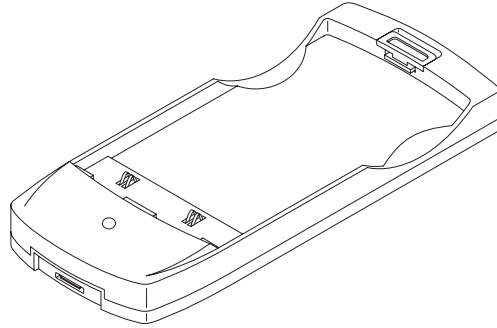
DATA KIT

GH39-00078A

---

## 1-10 Desk Top Charger

---

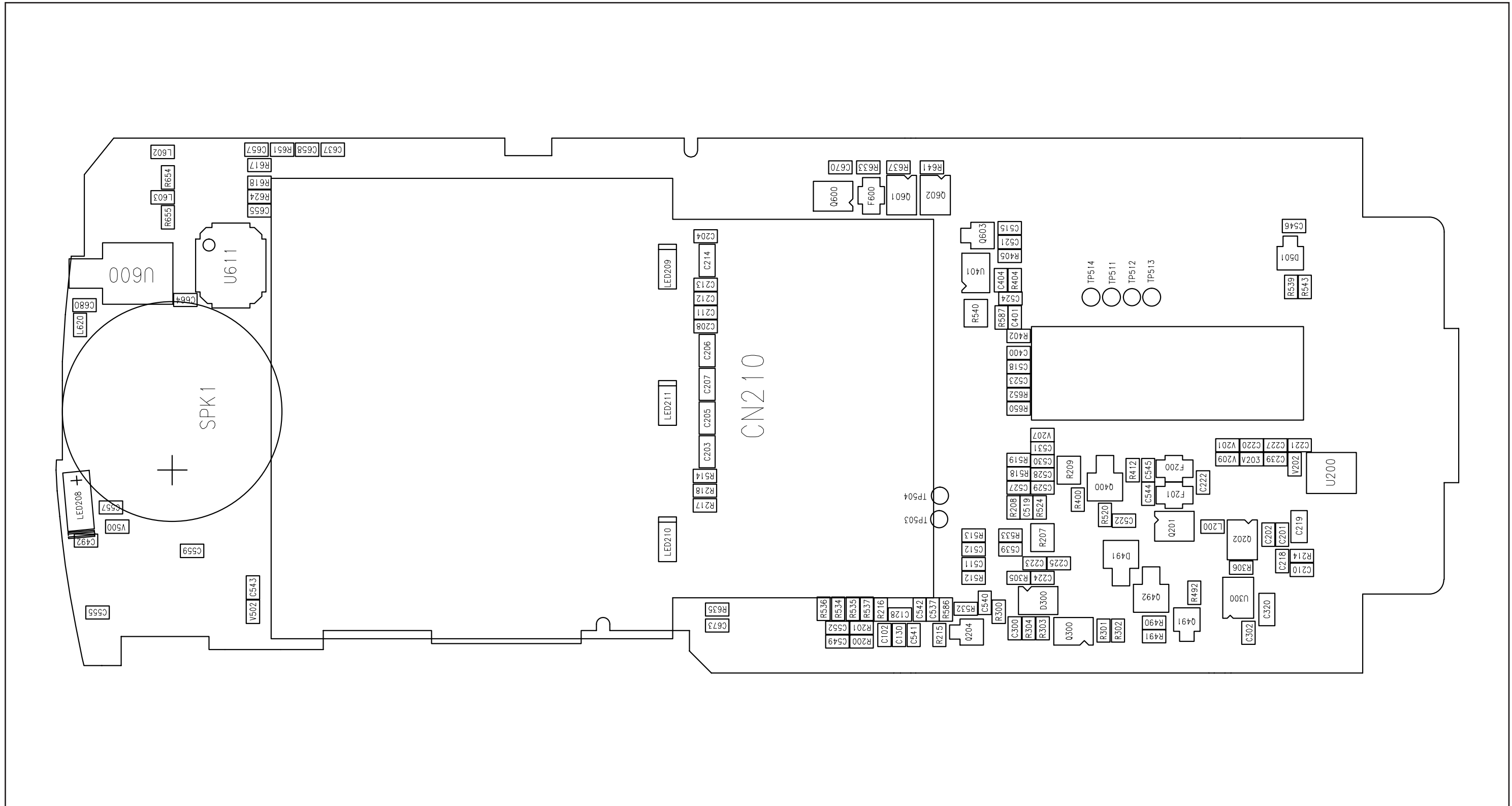


DESK TOP CHARGER

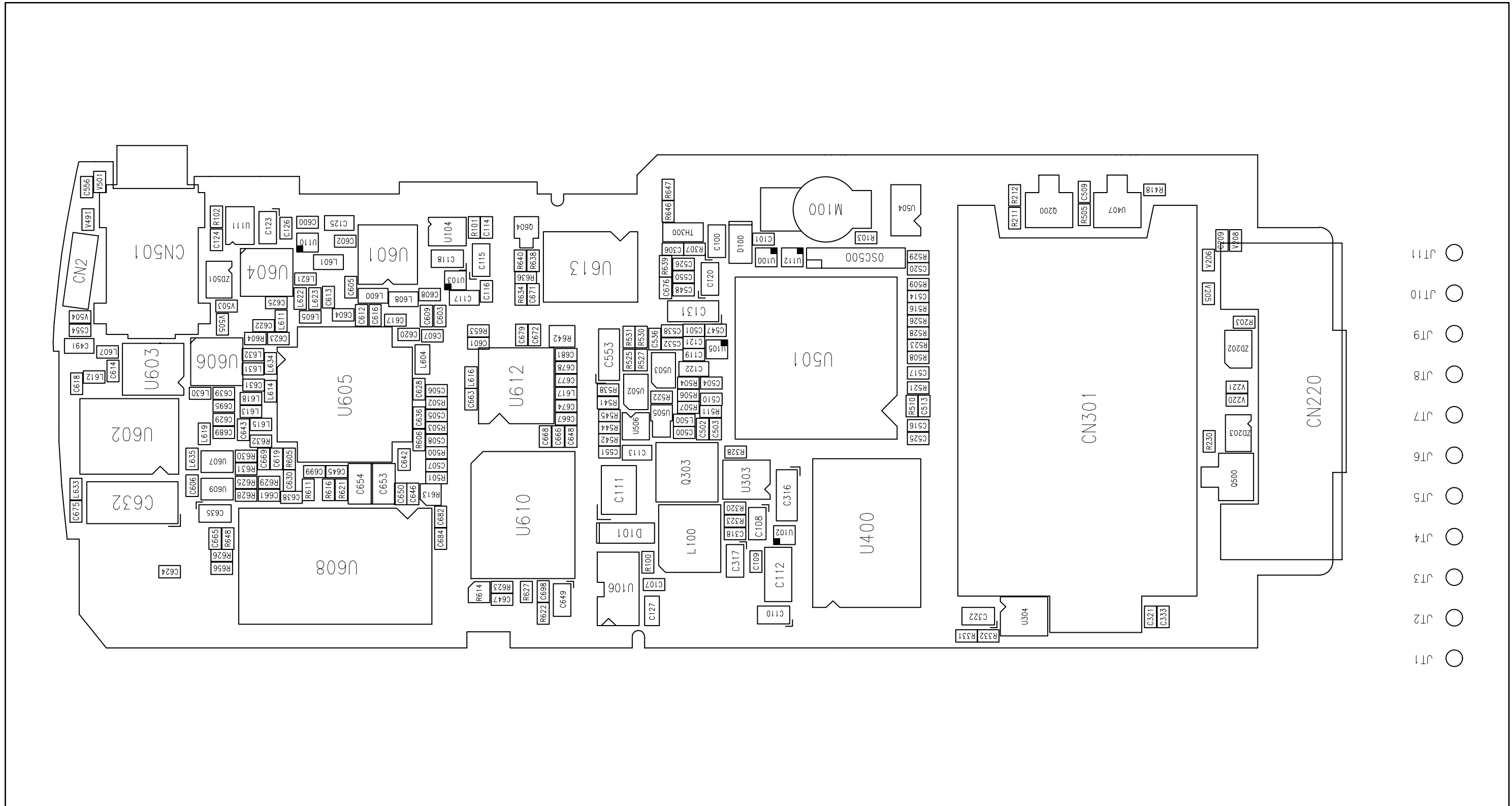
GH44-00186B

## 2. PCB Diagrams

### 2-1 Main Top



2-2 Main Bottom



## 3. Electrical Parts List

### 3-1 Main Parts List Top

NO	Reference	SEC Code	Part Description	Vendor Part No
1	C102	2203-000233	C-CERAMIC,CHIP;0.1nF,5%,5	CM05CG101J50AT
2	C128	2203-005509	C-CERAMIC,CHIP;330nF,+80-	GRM36Y5V334Z10PT
3	C130	2203-005061	C-CERAMIC,CHIP;100nF,+80-	MCH153F104ZK
4	C201	2203-000679	C-CERAMIC,CHIP;0.027nF,5%	CM05CG270J50AT
5	C202	2203-000679	C-CERAMIC,CHIP;0.027nF,5%	CM05CG270J50AT
6	C203	2203-005065	C-CERAMIC,CHIP;1000nF,+80	CL10F105ZONC
7	C204	2203-001101	C-CERAMIC,CHIP;6.8nF,10%,	CM05X7R682K25AT
8	C205	2203-005065	C-CERAMIC,CHIP;1000nF,+80	CL10F105ZONC
9	C206	2203-005065	C-CERAMIC,CHIP;1000nF,+80	CL10F105ZONC
10	C207	2203-005065	C-CERAMIC,CHIP;1000nF,+80	CL10F105ZONC
11	C208	2203-005061	C-CERAMIC,CHIP;100nF,+80-	MCH153F104ZK
12	C210	2203-005061	C-CERAMIC,CHIP;100nF,+80-	MCH153F104ZK
13	C211	2203-005061	C-CERAMIC,CHIP;100nF,+80-	MCH153F104ZK
14	C212	2203-005061	C-CERAMIC,CHIP;100nF,+80-	MCH153F104ZK
15	C213	2203-005061	C-CERAMIC,CHIP;100nF,+80-	MCH153F104ZK
16	C214	2203-005065	C-CERAMIC,CHIP;1000nF,+80	CL10F105ZONC
17	C218	2203-005061	C-CERAMIC,CHIP;100nF,+80-	MCH153F104ZK
18	C219	2203-000783	C-CERAMIC,CHIP;0.33nF,5%,	C1608CG1H331JT
19	C226	2203-000679	C-CERAMIC,CHIP;0.027nF,5%	CM05CG270J50AT
20	C227	2203-003054	C-CERAMIC,CHIP;0.009nF,0.	C1005CG1H090CT
21	C237	2203-000679	C-CERAMIC,CHIP;0.027nF,5%	CM05CG270J50AT
22	C238	2203-000679	C-CERAMIC,CHIP;0.027nF,5%	CM05CG270J50AT
23	C239	2203-000812	C-CERAMIC,CHIP;0.033nF,5%	CM05CG330J50AT
24	C300	2203-005061	C-CERAMIC,CHIP;100nF,+80-	MCH153F104ZK
25	C400	2203-005061	C-CERAMIC,CHIP;100nF,+80-	MCH153F104ZK
26	C401	2203-005061	C-CERAMIC,CHIP;100nF,+80-	MCH153F104ZK
27	C492	2203-005061	C-CERAMIC,CHIP;100nF,+80-	MCH153F104ZK
28	C511	2203-000812	C-CERAMIC,CHIP;0.033nF,5%	CM05CG330J50AT
29	C512	2203-000812	C-CERAMIC,CHIP;0.033nF,5%	CM05CG330J50AT
30	C513	2203-000812	C-CERAMIC,CHIP;0.033nF,5%	CM05CG330J50AT
31	C515	2203-000254	C-CERAMIC,CHIP;10nF,10%,1	CM05X7R103K16AT
32	C518	2203-000254	C-CERAMIC,CHIP;10nF,10%,1	CM05X7R103K16AT
33	C519	2203-000254	C-CERAMIC,CHIP;10nF,10%,1	CM05X7R103K16AT
34	C521	2203-000254	C-CERAMIC,CHIP;10nF,10%,1	CM05X7R103K16AT
35	C522	2203-000812	C-CERAMIC,CHIP;0.033nF,5%	CM05CG330J50AT
36	C523	2203-000812	C-CERAMIC,CHIP;0.033nF,5%	CM05CG330J50AT
37	C524	2203-000812	C-CERAMIC,CHIP;0.033nF,5%	CM05CG330J50AT
38	C527	2203-000254	C-CERAMIC,CHIP;10nF,10%,1	CM05X7R103K16AT

NO	Reference	SEC Code	Part Description	Vendor Part No
39	C528	2203-000679	C-CERAMIC,CHIP;0.027nF,5%	CM05CG270J50AT
40	C529	2203-000679	C-CERAMIC,CHIP;0.027nF,5%	CM05CG270J50AT
41	C530	2203-000679	C-CERAMIC,CHIP;0.027nF,5%	CM05CG270J50AT
42	C531	2203-000679	C-CERAMIC,CHIP;0.027nF,5%	CM05CG270J50AT
43	C537	2203-003054	C-CERAMIC,CHIP;0.009nF,0.	C1005CG1H090CT
44	C539	2203-000812	C-CERAMIC,CHIP;0.033nF,5%	CM05CG330J50AT
45	C540	2203-000812	C-CERAMIC,CHIP;0.033nF,5%	CM05CG330J50AT
46	C541	2203-005481	C-CERAMIC,CHIP;47nF,10%,1	GRM36X7R473K10PT
47	C542	2203-003054	C-CERAMIC,CHIP;0.009nF,0.	C1005CG1H090CT
48	C543	2203-005444	C-CERAMIC,CHIP;0.003nF,0.	GRM36COG030B50PT
49	C544	2203-000679	C-CERAMIC,CHIP;0.027nF,5%	CM05CG270J50AT
50	C545	2203-000679	C-CERAMIC,CHIP;0.027nF,5%	CM05CG270J50AT
51	C546	2203-005061	C-CERAMIC,CHIP;100nF,+80-	MCH153F104ZK
52	C549	2203-000254	C-CERAMIC,CHIP;10nF,10%,1	CM05X7R103K16AT
53	C552	2203-000812	C-CERAMIC,CHIP;0.033nF,5%	CM05CG330J50AT
54	C555	2203-003054	C-CERAMIC,CHIP;0.009nF,0.	C1005CG1H090CT
55	C557	2203-003054	C-CERAMIC,CHIP;0.009nF,0.	C1005CG1H090CT
56	C637	2203-000812	C-CERAMIC,CHIP;0.033nF,5%	CM05CG330J50AT
57	C638	2203-000233	C-CERAMIC,CHIP;0.1nF,5%,5	CM05CG101J50AT
58	C655	2203-000836	C-CERAMIC,CHIP;390pF,10%,	CM05X7R391K50AT
59	C657	2203-000233	C-CERAMIC,CHIP;0.1nF,5%,5	CM05CG101J50AT
60	C658	2203-000233	C-CERAMIC,CHIP;0.1nF,5%,5	CM05CG101J50AT
61	C664	2203-000438	C-CERAMIC,CHIP;1nF,10%,50	CM05X7R102K20AH
62	C670	2203-000438	C-CERAMIC,CHIP;1nF,10%,50	CM05X7R102K20AH
63	C673	2203-000254	C-CERAMIC,CHIP;10nF,10%,1	CM05X7R103K16AT
64	C680	2203-000679	C-CERAMIC,CHIP;0.027nF,5%	CM05CG270J50AT
65	D300	0407-001007	DIODE-ARRAY;UMN1,80V,25mA	UMN1
66	D491	0407-000115	DIODE-ARRAY;DAN202U,80V,	DAN202UT
67	D501	0407-001002	DIODE-ARRAY;DAN222,80V,30	DAN222
68	F200	2901-001116	FILTER-EMI SMD;50V,0.3A,-	NFM2012R13C471R
69	F201	2901-001116	FILTER-EMI SMD;50V,0.3A,-	NFM2012R13C471R
70	F600	2901-001116	FILTER-EMI SMD;50V,0.3A,-	NFM2012R13C471R
71	L200	2703-001752	INDUCTOR-SMD;39nH,5%,1.0x	LL1005-FH39NJ
72	L603	2703-001952	INDUCTOR-SMD;8.2nH,5%,1.0	HK1005-8N2J-T
73	L620	2703-001951	INDUCTOR-SMD;33nH,5%,1.0x	HK1005-33NS-T
74	LED208	0601-000276	LED;CHIP,Y/GRN,1.6x2.0mm,	CL-150YG-CD-T
75	LED209	0601-001542	LED;CHIP,BLUE,1.2X0.8MM,	
76	LED210	0601-001542	LED;CHIP,BLUE,1.2X0.8MM,	
77	LED211	0601-001542	LED;CHIP,BLUE,1.2X0.8MM,	
78	Q201	0504-001042	TR-DIGITAL;BCR10PN,NPN/PN	BCR10PN
79	Q202	0504-001058	TR-DIGITAL;RN4985,NPN/PNP	RN4985-TE85L
80	Q204	0504-000167	TR-DIGITAL;RN1102,NPN,100	DTC114EE/TR

NO	Reference	SEC Code	Part Description	Vendor Part No
81	Q300	0506-001004	TR-ARRAY;UMC5N,NPN/PNP,2,	UMC5NTR
82	Q400	0501-000162	TR-SMALL SIGNAL;2SA1576,P	STA1576A-G
83	Q491	0504-000167	TR-DIGITAL;RN1102,NPN,100	DTC114EE/TR
84	Q492	0501-000162	TR-SMALL SIGNAL;2SA1576,P	2SA1576
85	Q600	0504-001058	TR-DIGITAL;RN4985,NPN/PNP	RN4985-TE85L
86	Q601	0504-001058	TR-DIGITAL;RN4985,NPN/PNP	RN4985-TE85L
87	Q602	0504-001058	TR-DIGITAL;RN4985,NPN/PNP	RN4985-TE85L
88	Q603	0504-001012	TR-DIGITAL;DTC114YE,NPN,1	DTC114YE
89	R200	2007-000162	R-CHIP;100Kohm,5%,1/16W,D	TSR16GJ104V
90	R201	2007-000162	R-CHIP;100Kohm,5%,1/16W,D	TSR16GJ104V
91	R207	2011-001344	R-NETWORK;100ohm,5%,1/16W	EXB28V101JX
92	R208	2007-000138	R-CHIP;100ohm,5%,1/16W,DA	ERJ2GE101X
93	R209	2011-001344	R-NETWORK;100ohm,5%,1/16W	EXB28V101JX
94	R214	2007-000157	R-CHIP;47Kohm,5%,1/16W,DA	TSR16GJ473V
95	R215	2007-000139	R-CHIP;220ohm,5%,1/16W,DA	TSR16GJ221V
96	R216	2007-007771	R-CHIP;0OHM,5%,1/16W,DA,T	ERJ2GEJ0R0E
97	R217	2007-007771	R-CHIP;0OHM,5%,1/16W,DA,T	ERJ2GEJ0R0E
98	R218	2007-007771	R-CHIP;0OHM,5%,1/16W,DA,T	ERJ2GEJ0R0E
99	R300	2007-000162	R-CHIP;100Kohm,5%,1/16W,D	TSR16GJ104V
100	R301	2007-000162	R-CHIP;100Kohm,5%,1/16W,D	TSR16GJ104V
101	R302	2007-000148	R-CHIP;10Kohm,5%,1/16W,DA	TSR16GJ103
102	R303	2007-000148	R-CHIP;10Kohm,5%,1/16W,DA	TSR16GJ103
103	R304	2007-000148	R-CHIP;10Kohm,5%,1/16W,DA	TSR16GJ103
104	R305	2007-000148	R-CHIP;10Kohm,5%,1/16W,DA	TSR16GJ103
105	R306	2007-000148	R-CHIP;10Kohm,5%,1/16W,DA	TSR16GJ103
106	R400	2007-000148	R-CHIP;10Kohm,5%,1/16W,DA	TSR16GJ103
107	R402	2007-000148	R-CHIP;10Kohm,5%,1/16W,DA	TSR16GJ103
108	R404	2007-000148	R-CHIP;10Kohm,5%,1/16W,DA	TSR16GJ103
109	R405	2007-000148	R-CHIP;10Kohm,5%,1/16W,DA	TSR16GJ103
110	R412	2007-000148	R-CHIP;10Kohm,5%,1/16W,DA	TSR16GJ103
111	R418	2007-007771	R-CHIP;0OHM,5%,1/16W,DA,T	ERJ2GEJ0R0E
112	R490	2007-000143	R-CHIP;4.7Kohm,5%,1/16W,D	TSR16GJ472V
113	R491	2007-000140	R-CHIP;1Kohm,5%,1/16W,DA,	TSR16GJ102V
114	R492	2007-007771	R-CHIP;0OHM,5%,1/16W,DA,T	ERJ2GEJ0R0E
115	R512	2007-000157	R-CHIP;47Kohm,5%,1/16W,DA	TSR16GJ473V
116	R513	2007-000162	R-CHIP;100Kohm,5%,1/16W,D	TSR16GJ104V
117	R514	2007-000148	R-CHIP;10Kohm,5%,1/16W,DA	TSR16GJ103
118	R518	2007-000148	R-CHIP;10Kohm,5%,1/16W,DA	TSR16GJ103
119	R519	2007-000148	R-CHIP;10Kohm,5%,1/16W,DA	TSR16GJ103
120	R520	2007-000148	R-CHIP;10Kohm,5%,1/16W,DA	TSR16GJ103
121	R524	2007-000157	R-CHIP;47Kohm,5%,1/16W,DA	TSR16GJ473V
122	R532	2007-000141	R-CHIP;2.2Kohm,5%,1/16W,D	TSR16GJ222V

NO	Reference	SEC Code	Part Description	Vendor Part No
123	R533	2007-000141	R-CHIP;2.2Kohm,5%,1/16W,D	TSR16GJ222V
124	R535	2007-000148	R-CHIP;10Kohm,5%,1/16W,DA	TSR16GJ103
125	R536	2007-000148	R-CHIP;10Kohm,5%,1/16W,DA	TSR16GJ103
126	R539	2007-000143	R-CHIP;4.7Kohm,5%,1/16W,D	TSR16GJ472V
127	R540	2011-001345	R-NETWORK;10Kohm,5%,1/16W	EXB28V103JX
128	R543	2007-000162	R-CHIP;100Kohm,5%,1/16W,D	TSR16GJ104V
129	R586	2007-000162	R-CHIP;100Kohm,5%,1/16W,D	TSR16GJ104V
130	R587	2007-000148	R-CHIP;10Kohm,5%,1/16W,DA	TSR16GJ103
131	R617	2007-007142	R-CHIP;10Kohm,1%,1/16W,DA,	ERJ2GEF103X
132	R618	2007-007142	R-CHIP;10Kohm,1%,1/16W,DA,	ERJ2GEF103X
133	R624	2007-007132	R-CHIP;15Kohm,1%,1/16W,DA,	MCR01MZSF1502
134	R633	2007-000148	R-CHIP;10Kohm,5%,1/16W,DA	TSR16GJ103
135	R634	2007-000140	R-CHIP;1Kohm,5%,1/16W,DA,	TSR16GJ102V
136	R635	2007-000148	R-CHIP;10Kohm,5%,1/16W,DA	TSR16GJ103
137	R636	2007-000141	R-CHIP;2.2Kohm,5%,1/16W,D	TSR16GJ222V
138	R637	2007-000148	R-CHIP;10Kohm,5%,1/16W,DA	TSR16GJ103
139	R641	2007-000148	R-CHIP;10Kohm,5%,1/16W,DA	TSR16GJ103
140	R650	2007-000137	R-CHIP;2Kohm,5%,1/16W,DA,	TSR16GJ202V
141	R651	2007-007142	R-CHIP;10Kohm,1%,1/16W,DA,	ERJ2GEF103X
142	R654	2007-007771	R-CHIP;0OHM,5%,1/16W,DA,T	ERJ2GEJ0R0E
143	R655	2007-007771	R-CHIP;0OHM,5%,1/16W,DA,T	ERJ2GEJ0R0E
144	U200	1009-001006	IC-HALL EFFECT S/W;A3210E	A3210ELH
145	U300	0505-001423	FET-SILICON;FDG6323L,N/P,	FDG6323L
146	U401	0801-002540	IC-CMOS LOGIC;7SZ19,DECOD	NC7SZ19P6X
147	U600	3705-001242	CONNECTOR-COAXIAL;-JACK,	CRS5001-1705
148	U611	1209-001354	IC-ETC, LINEAR;HD155173NP	HD155173NPEL
149	V207	1405-001093	VARISTOR;14V,20A,1x0.5x0.	VC040214X300
150	V209	1405-001093	VARISTOR;14V,20A,1x0.5x0.	VC040214X300
151	V500	1405-001082	VARISTOR;5.6V,20A,1x0.5x0	VC040205X150R
152	V502	1405-001082	VARISTOR;5.6V,20A,1x0.5x0	VC040205X150R



### 3-2 Main Parts List Bottom

NO	Reference	SEC Code	Part Description	Vendor Part No
1	C100	2404-001105	C-TA,CHIP;10uF,20%,6.3V,-	TAJR106M006R
2	C101	2203-000254	C-CERAMIC,CHIP;10nF,10%,1	CM05X7R103K16AT
3	C107	2203-005061	C-CERAMIC,CHIP;100nF,+80-	MCH153F104ZK
4	C108	2404-001105	C-TA,CHIP;10uF,20%,6.3V,-	TAJR106M006R
5	C109	2203-000254	C-CERAMIC,CHIP;10nF,10%,1	CM05X7R103K16AT
6	C110	2404-001105	C-TA,CHIP;10uF,20%,6.3V,-	TAJR106M006R
7	C111	2404-001134	C-TA,CHIP;100UF,20%,6.3V,	595D107X06R3B2T
8	C112	2203-005562	C-CERAMIC,CHIP;1000nF,+8	GRM230Y5V106Z10PT
9	C113	2203-005065	C-CERAMIC,CHIP;100nF,+80	CL10F105ZONC
10	C114	2203-005061	C-CERAMIC,CHIP;100nF,+80-	MCH153F104ZK
11	C115	2404-001105	C-TA,CHIP;10uF,20%,6.3V,-	TAJR106M006R
12	C116	2203-000254	C-CERAMIC,CHIP;10nF,10%,1	CM05X7R103K16AT
13	C117	2203-005065	C-CERAMIC,CHIP;100nF,+80	CL10F105ZONC
14	C118	2404-001105	C-TA,CHIP;10uF,20%,6.3V,-	TAJR106M006R
15	C119	2203-000254	C-CERAMIC,CHIP;10nF,10%,1	CM05X7R103K16AT
16	C120	2404-001105	C-TA,CHIP;10uF,20%,6.3V,-	TAJR106M006R
17	C121	2203-000679	C-CERAMIC,CHIP;0.027nF,5%	CM05CG270J50AT
18	C122	2203-005065	C-CERAMIC,CHIP;100nF,+80	CL10F105ZONC
19	C123	2404-001105	C-TA,CHIP;10uF,20%,6.3V,-	TAJR106M006R
20	C124	2203-005061	C-CERAMIC,CHIP;100nF,+80-	MCH153F104ZK
21	C125	2203-005065	C-CERAMIC,CHIP;100nF,+80	CL10F105ZONC
22	C126	2203-000254	C-CERAMIC,CHIP;10nF,10%,1	CM05X7R103K16AT
23	C127	2203-005065	C-CERAMIC,CHIP;100nF,+80	CL10F105ZONC
24	C131	2404-001231	C-TA,CHIP;47uF,20%,6.3V,G	595D476X06R3A2T
25	C209	2203-000679	C-CERAMIC,CHIP;0.027nF,5%	CM05CG270J50AT
26	C306	2203-005061	C-CERAMIC,CHIP;100nF,+80-	MCH153F104ZK
27	C316	2404-001020	C-TA,CHIP;10uF,20%,10V,GP	TMCMA1A106MTR
28	C317	2404-001105	C-TA,CHIP;10uF,20%,6.3V,-	TAJR106M006R
29	C318	2203-005061	C-CERAMIC,CHIP;100nF,+80-	MCH153F104ZK
30	C321	2203-005481	C-CERAMIC,CHIP;47nF,10%,1	GRM36X7R473K10PT
31	C322	2404-001105	C-TA,CHIP;10uF,20%,6.3V,-	TAJR106M006R
32	C333	2203-005061	C-CERAMIC,CHIP;100nF,+80-	MCH153F104ZK
33	C491	2203-005065	C-CERAMIC,CHIP;100nF,+80-	CL10F105ZONC
34	C502	2203-000679	C-CERAMIC,CHIP;0.027nF,5%	CM05CG270J50AT
35	C503	2203-003054	C-CERAMIC,CHIP;0.009nF,0.	C1005CG1H090CT
36	C504	2203-005503	C-CERAMIC,CHIP;0.18nF,5%,	GRM36C0G181J25PT
37	C505	2203-000233	C-CERAMIC,CHIP;0.1nF,5%,5	CM05CG101J50AT
38	C506	2203-000233	C-CERAMIC,CHIP;0.1nF,5%,5	CM05CG101J50AT
39	C507	2203-000233	C-CERAMIC,CHIP;0.1nF,5%,5	CM05CG101J50AT
40	C508	2203-000233	C-CERAMIC,CHIP;0.1nF,5%,5	CM05CG101J50AT
41	C509	2203-000254	C-CERAMIC,CHIP;10nF,10%,1	CM05X7R103K16AT
42	C510	2203-005503	C-CERAMIC,CHIP;0.18nF,5%,	GRM36C0G181J25PT

NO	Reference	SEC Code	Part Description	Vendor Part No
43	C514	2203-000812	C-CERAMIC,CHIP;0.033nF,5%	CM05CG330J50AT
44	C516	2203-000812	C-CERAMIC,CHIP;0.033nF,5%	CM05CG330J50AT
45	C517	2203-000812	C-CERAMIC,CHIP;0.033nF,5%	CM05CG330J50AT
46	C520	2203-000254	C-CERAMIC,CHIP;10nF,10%,1	CM05X7R103K16AT
47	C525	2203-000812	C-CERAMIC,CHIP;0.033nF,5%	CM05CG330J50AT
48	C526	2203-005061	C-CERAMIC,CHIP;100nF,+80-	MCH153F104ZK
49	C532	2203-005480	C-CERAMIC,CHIP;33nF,10%,1	GRM36X7R333K10PT
50	C538	2203-005480	C-CERAMIC,CHIP;33nF,10%,1	GRM36X7R333K10PT
51	C547	2203-000254	C-CERAMIC,CHIP;10nF,10%,1	CM05X7R103K16AT
52	C548	2203-003054	C-CERAMIC,CHIP;0.009nF,0.	C1005CG1H090CT
53	C550	2203-000254	C-CERAMIC,CHIP;10nF,10%,1	CM05X7R103K16AT
54	C551	2203-000254	C-CERAMIC,CHIP;10nF,10%,1	CM05X7R103K16AT
55	C553	2404-001231	C-TA,CHIP;47uF,20%,6.3V,G	595D476X06R3A2T
56	C554	2203-000995	C-CERAMIC,CHIP;0.047nF,5%	CM05CG470J50AT
57	C556	2203-000995	C-CERAMIC,CHIP;0.047nF,5%	CM05CG470J50AT
58	C600	2203-000254	C-CERAMIC,CHIP;10nF,10%,1	CM05X7R103K16AT
59	C601	2203-000438	C-CERAMIC,CHIP;1nF,10%,50	CM05X7R102K20AH
60	C602	2203-000278	C-CERAMIC,CHIP;0.01nF,0.5	CM05CG100D50AT
61	C603	2203-001259	C-CERAMIC,CHIP;0.008nF,5%	CM05CG080D50AT
62	C605	2203-000278	C-CERAMIC,CHIP;0.01nF,0.5	CM05CG100D50AT
63	C606	2203-000995	C-CERAMIC,CHIP;0.047nF,5%	CM05CG470J50AT
64	C607	2203-005450	C-CERAMIC,CHIP;0.0056nF,+	GRM36COG5R6B50PT
65	C609	2203-001259	C-CERAMIC,CHIP;0.008nF,5%	CM05CG080D50AT
66	C612	2203-000438	C-CERAMIC,CHIP;1nF,10%,50	CM05X7R102K20AH
67	C613	2203-000438	C-CERAMIC,CHIP;1nF,10%,50	CM05X7R102K20AH
68	C614	2203-000233	C-CERAMIC,CHIP;0.1nF,5%,5	CM05CG101J50AT
69	C616	2203-000438	C-CERAMIC,CHIP;1nF,10%,50	CM05X7R102K20AH
70	C617	2203-000359	C-CERAMIC,CHIP;0.15nF,5%,	CM05CG151J50AT
71	C618	2203-000233	C-CERAMIC,CHIP;0.1nF,5%,5	CM05CG101J50AT
72	C619	2203-000438	C-CERAMIC,CHIP;1nF,10%,50	CM05X7R102K20AH
73	C620	2203-000438	C-CERAMIC,CHIP;1nF,10%,50	CM05X7R102K20AH
74	C622	2203-000654	C-CERAMIC,CHIP;270pF,10%,	CM05X7R271K50AH
75	C623	2203-000679	C-CERAMIC,CHIP;0.027nF,5%	CM05CG270J50AT
76	C624	2203-001383	C-CERAMIC,CHIP;0.0005nF,0.	CM05CGR50C50AT
77	C625	2203-005444	C-CERAMIC,CHIP;0.003nF,0.	GRM36COG030B50PT
78	C628	2203-000679	C-CERAMIC,CHIP;0.027nF,5%	CM05CG270J50AT
79	C629	2203-005281	C-CERAMIC,CHIP;0.0015nF,+	GRM36C0G1R5B50PT
80	C632	2404-001210	C-TA,CHIP;220uF,20%,6.3V,	592D227X06R3U2T
81	C635	2404-001105	C-TA,CHIP;10UF,20%,6.3V,-	TAJR106M006R
82	C636	2203-000438	C-CERAMIC,CHIP;1nF,10%,50	CM05X7R102K20AH
83	C638	2203-000233	C-CERAMIC,CHIP;0.1nF,5%,5	CM05CG101J50AT
84	C639	2203-005443	C-CERAMIC,CHIP;0.0033nF,0	GRM36COG3R3B50PT

NO	Reference	SEC Code	Part Description	Vendor Part No
85	C642	2203-000254	C-CERAMIC,CHIP;10nF,10%,1	CM05X7R103K16AT
86	C643	2203-000696	C-CERAMIC,CHIP;0.002nF,0.	CM05CG270J50AT
87	C645	2203-000438	C-CERAMIC,CHIP;1nF,10%,50	CM05X7R102K20AH
88	C646	2203-000812	C-CERAMIC,CHIP;0.033nF,5%	CM05CG330J50AT
89	C647	2203-000812	C-CERAMIC,CHIP;0.033nF,5%	CM05CG330J50AT
90	C648	2203-000438	C-CERAMIC,CHIP;1nF,10%,50	CM05X7R102K20AH
91	C649	2404-001101	C-TA,CHIP;1uF,20%,16V,GP,	TAJR105M106R
92	C650	2203-002443	C-CERAMIC,CHIP;0.33nF,10%	CL05B331KBNC
93	C653	2301-001197	C-FILM,CHIP;390pF,5%,16V,	ECHU1H391JX5
94	C654	2301-001213	C-FILM,CHIP;6.8nF,5%,16V,	ECHU1C682JX5
95	C661	2203-000995	C-CERAMIC,CHIP;0.047nF,5%	CM05CG470J50AT
96	C663	2203-002525	C-CERAMIC,CHIP;0.56nF,10%	GRM36X7R561K50PT
97	C665	2203-000679	C-CERAMIC,CHIP;0.027nF,5%	CM05CG270J50AT
98	C666	2203-000233	C-CERAMIC,CHIP;0.1nF,5%,5	CM05CG101J50AT
99	C667	2203-000233	C-CERAMIC,CHIP;0.1nF,5%,5	CM05CG101J50AT
100	C668	2203-000233	C-CERAMIC,CHIP;0.1nF,5%,5	CM05CG101J50AT
101	C669	2203-000995	C-CERAMIC,CHIP;0.047nF,5%	CM05CG470J50AT
102	C671	2203-000254	C-CERAMIC,CHIP;10nF,10%,1	CM05X7R103K16AT
103	C672	2203-002525	C-CERAMIC,CHIP;0.56nF,10%	GRM36X7R561K50PT
104	C674	2203-002525	C-CERAMIC,CHIP;0.56nF,10%	GRM36X7R561K50PT
105	C675	2203-000679	C-CERAMIC,CHIP;0.027nF,5%	CM05CG270J50AT
106	C676	2203-000254	C-CERAMIC,CHIP;10nF,10%,1	CM05X7R103K16AT
107	C677	2203-000233	C-CERAMIC,CHIP;0.1nF,5%,5	CM05CG101J50AT
108	C678	2203-000233	C-CERAMIC,CHIP;0.1nF,5%,5	CM05CG101J50AT
109	C679	2203-000233	C-CERAMIC,CHIP;0.1nF,5%,5	CM05CG101J50AT
110	C681	2203-000233	C-CERAMIC,CHIP;0.1nF,5%,5	CM05CG101J50AT
111	C682	2203-000679	C-CERAMIC,CHIP;0.027nF,5%	CM05CG270J50AT
112	C684	2203-000812	C-CERAMIC,CHIP;0.033nF,5%	CM05CG330J50AT
113	C689	2203-005158	C-CERAMIC,CHIP;0.0022nF,0	CL05C2R2CBNC
114	C695	2203-001259	C-CERAMIC,CHIP;0.008nF,5%	CM05CG080D50AT
115	C699	2203-000438	C-CERAMIC,CHIP;1nF,10%,50	CM05X7R102K20AH
116	CN2	3710-001105	CONNECTOR-SOCKET;2P,1R,1.	24-8005-002-000-867
117	CN220	3710-001595	CONNECTOR-SOCKET;18P,1R,0	1004-0018-304
118	CN301	3709-001074	CONNECTOR-CARD EDGE;6P,2.	ID1-6S-2.54SF
119	CN501	3722-001587	JACK-PHONE;6P,2.6PI,AG,BL	02-828DO-53BKA
120	D100	0401-001033	DIODE-SWITCHING;MCL4154,2	MCL4154
121	D101	0402-001331	DIODE-RECTIFIER;CRS04,40V	CRS04-TE85L
122	L100	2703-002025	INDUCTOR-SMD;47uH,20%,6.6	BTC-0309-470M
123	L500	2703-001752	INDUCTOR-SMD;39nH,5%,1.0x	LL1005-FH39NJ
124	L600	2703-001685	INDUCTOR-SMD;82nH,5%,1.7x	0603CS-82NXJBC
125	L601	2703-001685	INDUCTOR-SMD;82nH,5%,1.7x	0603CS-82NXJBC
126	L604	2703-001514	INDUCTOR-SMD;68nH,5%,1.8x	0603CS-68NXJBC

NO	Reference	SEC Code	Part Description	Vendor Part No
127	L605	2703-001752	INDUCTOR-SMD;39nH,5%,1.0x	LL1005-FH39NJ
128	L608	2703-001685	INDUCTOR-SMD;82nH,5%,1.7x	0603CS-82NXJBC
129	L611	2703-001952	INDUCTOR-SMD;8.2nH,5%,1.0	HK1005-8N2J-T
130	L612	2703-001970	INDUCTOR-SMD;18nH,5%,1.0x	HK1005-18NJ-T
131	L613	2703-001734	INDUCTOR-SMD;6.8nH,5%,1x0	LL1005-FH6N8J
132	L614	2703-001734	INDUCTOR-SMD;6.8nH,5%,1x0	LL1005-FH6N8J
133	L615	2703-001798	INDUCTOR-SMD;2.2NH,0.3NH,	HK1005-2N2S-T
134	L616	2703-001786	INDUCTOR-SMD;10NH,5%,1.0X	LL1005-FH10NJ
135	L617	2703-001798	INDUCTOR-SMD;2.2NH,0.3NH,	HK1005-2N2S-T
136	L618	2703-001734	INDUCTOR-SMD;6.8nH,5%,1x0	LL1005-FH6N8J
137	L619	2703-001734	INDUCTOR-SMD;6.8nH,5%,1x0	LL1005-FH6N8J
138	L621	2703-001938	INDUCTOR-SMD;56nH,5%,1.0x	LL1005-FH56NJ
139	L622	2703-001752	INDUCTOR-SMD;39nH,5%,1.0x	LL1005-FH39NJ
140	L623	2703-001752	INDUCTOR-SMD;39nH,5%,1.0x	LL1005-FH39NJ
141	L630	2703-001723	INDUCTOR-SMD;33nH,5%,1.0x	LL1005-FH33NJ
142	L631	2703-001747	INDUCTOR-SMD;4.7nH,0.3nH,	LL1005-FH4N7S
143	L632	2703-001747	INDUCTOR-SMD;4.7nH,0.3nH,	LL1005-FH4N7S
144	L633	2703-001951	INDUCTOR-SMD;33nH,5%,1.0x	HK1005-33NS-T
145	L634	2703-001727	INDUCTOR-SMD;22nH,5%,1x0.	HK1005-22NJ-T
146	L635	2703-001949	INDUCTOR-SMD;4.7nH,10%,1.	HK1005-4N7K-T
147	M100	4302-001119	BATTERY-LI(2ND);3V,0.1MAH	ML414R-TT33
148	OSC500	2801-003856	CRYSTAL-SMD;0.032786MHZ,2	MC-146
149	Q200	0501-002011	TR-SMALL SIGNAL;2SD2114K,	2SD2114KT146V
150	Q303	0501-002346	TR-SMALL SIGNAL;2SB1427,P	2SB1427-E-T100
151	Q500	0501-002011	TR-SMALL SIGNAL;2SD2114K,	2SD2114KT146V
152	Q604	0501-000225	TR-SMALL SIGNAL;2SC4617,N	2SC4617
153	R100	2007-001308	R-CHIP;200ohm,5%,1/16W,DA	TSR16GJ201V
154	R101	2007-000148	R-CHIP;10Kohm,5%,1/16W,DA	TSR16GJ103
155	R102	2007-000148	R-CHIP;10Kohm,5%,1/16W,DA	TSR16GJ103
156	R103	2007-007771	R-CHIP;0OHM,5%,1/16W,DA,T	ERJ2GEJ0R0E
157	R203	2007-007771	R-CHIP;0OHM,5%,1/16W,DA,T	ERJ2GEJ0R0E
158	R211	2007-000140	R-CHIP;1Kohm,5%,1/16W,DA,	TSR16GJ102V
159	R212	2007-000162	R-CHIP;100Kohm,5%,1/16W,D	TSR16GJ104V
160	R230	2007-007771	R-CHIP;0OHM,5%,1/16W,DA,T	ERJ2GEJ0R0E
161	R307	2007-000159	R-CHIP;56Kohm,5%,1/16W,DA	TSR16GJ563V
162	R320	2007-007590	R-CHIP;82Kohm,1%,1/16W,DA	RK73H1ETP8202F
163	R323	2007-007107	R-CHIP;100Kohm,1%,1/16W,DA	MCR01MZSF1003
164	R328	2007-008117	R-CHIP;2.7Kohm,1%,1/16W,D	RK73H1ETP2701F
165	R331	2007-000170	R-CHIP;1Mohm,5%,1/16W,DA,	TSR8GJ105V
166	R332	2007-003028	R-CHIP;750KOHM,5%,1/16W,D	TSR16GJ754V
167	R500	2007-007317	R-CHIP;2.2Kohm,1%,1/16W,D	MCR01MZSF2201
168	R501	2007-007317	R-CHIP;2.2Kohm,1%,1/16W,D	MCR01MZSF2201

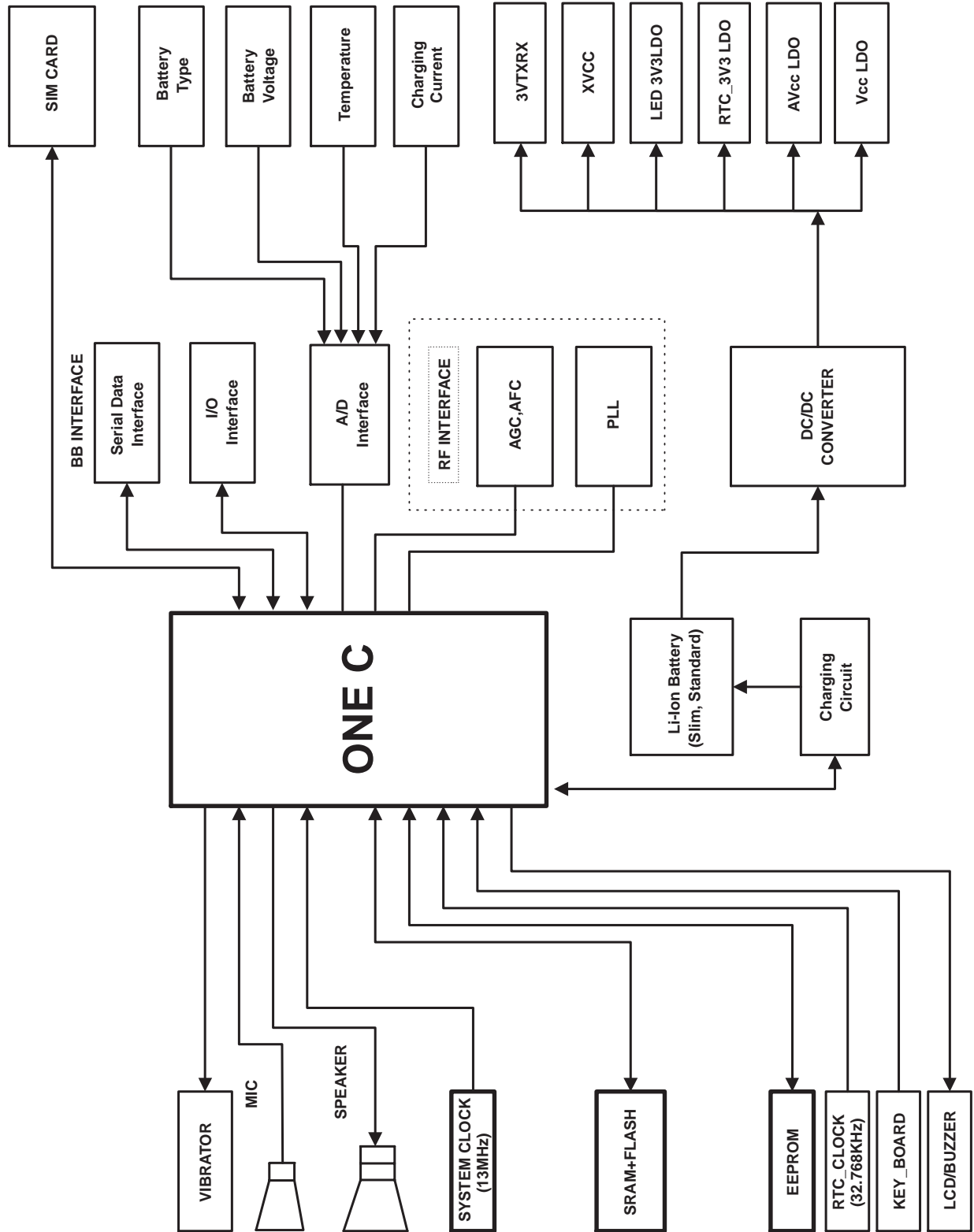
NO	Reference	SEC Code	Part Description	Vendor Part No
169	R502	2007-007317	R-CHIP;2.2Kohm,1%,1/16W,D	MCR01MZSF2201
170	R503	2007-007317	R-CHIP;2.2Kohm,1%,1/16W,D	MCR01MZSF2201
171	R504	2007-007318	R-CHIP;1Kohm,1%,1/16W,DA,	MCR01MZSF1001
172	R505	2007-000148	R-CHIP;10Kohm,5%,1/16W,DA	TSR16GJ103
173	R506	2007-007318	R-CHIP;1Kohm,1%,1/16W,DA,	MCR01MZSF1001
174	R507	2007-007318	R-CHIP;1Kohm,1%,1/16W,DA,	MCR01MZSF1001
175	R508	2007-000162	R-CHIP;100Kohm,5%,1/16W,D	TSR16GJ104V
176	R509	2007-000148	R-CHIP;10Kohm,5%,1/16W,DA	TSR16GJ103
177	R510	2007-000162	R-CHIP;100Kohm,5%,1/16W,D	TSR16GJ104V
178	R511	2007-007318	R-CHIP;1Kohm,1%,1/16W,DA,	MCR01MZSF1001
179	R516	2007-000162	R-CHIP;100Kohm,5%,1/16W,D	TSR16GJ104V
180	R521	2007-000152	R-CHIP;20Kohm,5%,1/16W,DA	TSR16GJ203V
181	R522	2007-000162	R-CHIP;100Kohm,5%,1/16W,D	TSR16GJ104V
182	R523	2007-000162	R-CHIP;100Kohm,5%,1/16W,D	TSR16GJ104V
183	R525	2007-000139	R-CHIP;220ohm,5%,1/16W,DA	TSR16GJ221V
184	R526	2007-000168	R-CHIP;470Kohm,5%,1/16W,D	TSR16GJ474V
185	R527	2007-002796	R-CHIP;510ohm,5%,1/16W,DA	TSR16GJ511V
186	R528	2007-000148	R-CHIP;10Kohm,5%,1/16W,DA	TSR16GJ103
187	R529	2007-000157	R-CHIP;47Kohm,5%,1/16W,DA	TSR16GJ473V
188	R530	2007-002796	R-CHIP;510ohm,5%,1/16W,DA	TSR16GJ511V
189	R531	2007-000139	R-CHIP;220ohm,5%,1/16W,DA	TSR16GJ221V
190	R538	2007-007981	R-CHIP;180Kohm,1%,1/16W,D	ERJ2RKF1803X
191	R541	2007-007488	R-CHIP;75Kohm,1%,1/16W,D	RK73H1ETP7502F
192	R542	2007-000170	R-CHIP;1Mohm,5%,1/16W,DA,	TSR8GJ105V
193	R544	2007-000170	R-CHIP;1Mohm,5%,1/16W,DA,	TSR8GJ105V
194	R545	2007-000170	R-CHIP;1Mohm,5%,1/16W,DA,	TSR8GJ105V
195	R604	2007-000172	R-CHIP;10ohm,5%,1/16W,DA,	TSR16GJ100V
196	R605	2007-000172	R-CHIP;10ohm,5%,1/16W,DA,	TSR16GJ100V
197	R606	2007-000174	R-CHIP;47ohm,5%,1/16W,DA,	RK73K1ETP470J
198	R611	2007-001335	R-CHIP;36Kohm,5%,1/16W,DA	TSR16GJ363V
199	R613	2011-001364	R-NETWORK;50OHM,-,0.04W,-	EXB24AT4AR
200	R614	2011-001364	R-NETWORK;50OHM,-,0.04W,-	EXB24AT4AR
201	R616	2007-000138	R-CHIP;100ohm,5%,1/16W,DA	ERJ2GE101X
202	R621	2007-001301	R-CHIP;68ohm,5%,1/16W,DA,	TSR16GJ680V
203	R622	2007-000138	R-CHIP;100ohm,5%,1/16W,DA	ERJ2GE101X
204	R623	2007-000139	R-CHIP;220ohm,5%,1/16W,DA	TSR16GJ221V
205	R625	2007-001311	R-CHIP;270ohm,5%,1/16W,DA	TSR16GJ271V
206	R626	2007-007311	R-CHIP;22Kohm,1%,1/16W,DA,	RK73H1ETP2202F
207	R627	2007-000174	R-CHIP;47ohm,5%,1/16W,DA,	RK73K1ETP470J
208	R628	2007-001301	R-CHIP;68ohm,5%,1/16W,DA,	TSR16GJ680V
209	R629	2007-001301	R-CHIP;68ohm,5%,1/16W,DA,	TSR16GJ680V
210	R630	2007-007307	R-CHIP;150ohm,1%,1/16W,DA,	RK73H1ETP1500F

NO	Reference	SEC Code	Part Description	Vendor Part No
211	R631	2007-001301	R-CHIP;68ohm,5%,1/16W,DA,	TSR16GJ680V
212	R632	2007-001301	R-CHIP;68ohm,5%,1/16W,DA,	TSR16GJ680V
213	R634	2007-000140	R-CHIP;1Kohm,5%,1/16W,DA,	TSR16GJ102V
214	R636	2007-000141	R-CHIP;2.2Kohm,5%,1/16W,D	TSR16GJ222V
215	R638	2007-007529	R-CHIP;91Kohm,1%,1/16W,DA	RK73H1ETP9102F
216	R639	2007-000172	R-CHIP;10ohm,5%,1/16W,DA,	TSR16GJ100V
217	R640	2007-007001	R-CHIP;3.9KOHM,5%,1/16W,D	TSR16GJ392V
218	R642	2011-001264	R-NETWORK;10ohm,5%,1/16W,	EXB28V100J
219	R646	2007-001307	R-CHIP;180ohm,5%,1/16W,DA	TSR16GJ181V
220	R648	2007-001305	R-CHIP;120ohm,5%,1/16W,DA	ERJ2GEJ121X
221	R653	2007-001298	R-CHIP;51ohm,5%,1/16W,DA,	ERJ2GEJ510X
222	TH300	1404-001005	THERMISTOR-NTC;47Kohm,5%,	NTH5G20P40B473J07TE
223	U100	1203-002160	IC-VOLTAGE REGULATOR;2981	LP2981AIBPX-3.3
224	U102	1203-002128	IC-VOLTAGE REGULATOR;2985	LP2985AIBPX-3.0
225	U103	1203-002161	IC-VOLTAGE REGULATOR;2982	LP2982AIBPX-3.0
226	U104	0505-001423	FET-SILICON;FDG6323L,N/P,	FDG6323L
227	U105	1203-002128	IC-VOLTAGE REGULATOR;2985	LP2985AIBPX-3.0
228	U106	1203-001702	IC-DC/DC CONVERTER;1676,S	MAX1676EUB-T
229	U110	1203-002128	IC-VOLTAGE REGULATOR;2985	LP2985AIBPX-3.0
230	U111	0505-001423	FET-SILICON;FDG6323L,N/P,	FDG6323L
231	U112	1203-002160	IC-VOLTAGE REGULATOR;2981	LP2981AIBPX-3.3
232	U303	1203-002127	IC-BATTERY;1734,SOT-23,6P	LTC1734ES6-4.2#TR
233	U304	1203-001903	IC-DC/DC CONVERTER;1986,S	LTC1986ES6
234	U400	1106-001301	IC-SRAM;1337,262Kx16Bit,C	LRS1337
235	U407	1203-001511	IC-RESET;809,SOT-23,3P,-,	TCM809RENB713
236	U501	1205-001881	ONE-C;VP40575,BGA,180P,47	VP40575
237	U502	1001-001145	IC-ANALOG SWITCH;MAX4599E	MAX4599EXT-T
238	U503	1001-001145	IC-ANALOG SWITCH;MAX4599E	MAX4599EXT-T
239	U504	1103-001184	IC-EEPROM;24C256,32Kx8Bit	AT24C256-10UI-2.7-T.R
240	U505	0505-001518	FET-SILICON;SI1012R,N,20V	SI1012R
241	U506	1201-001729	IC-OP AMP;6035,SMD,TP,8P,	LMC6035IBPX
242	U601	2903-001266	FILTER-DIELECTRIC;BP,225M	MKFC225.000MBA701X-TC11
243	U602	2909-001126	FILTER-DUPLEXER;942.5MHz,	SHS-L090DE
244	U603	2904-001235	FILTER-SAW;1.8425GHz,75MH	FAR-G6CH-1G8425-L218
245	U604	2904-001226	FILTER-SAW;942.5MHz,35MHz	B4121
246	U605	1205-001935	IC-TRANSCEIVER;HD155128TF	HD155128TF
247	U606	2904-001228	FILTER-SAW;1.8425GHz,-,18	B4133
248	U607	4709-001214	COUPLER-DIRECTION;880-915	DCS214E-0897
249	U608	1201-001785	IC-POWER AMP;08122,-,8P,	PF08122B-TB
250	U609	4709-001213	COUPLER-DIRECTION;1710-17	DCS214E-1747
251	U610	2806-001245	OSCILLATOR-VCO;900MHZ/175	ENFVF182SK5
252	U612	1209-001337	IC-PLL/SYNTHESISER;SI4133	SI4133G-XM2R

<b>NO</b>	<b>Reference</b>	<b>SEC Code</b>	<b>Part Description</b>	<b>Vendor Part No</b>
253	U613	2809-001237	OSCILLATOR-VCTCXO;13MHz,5	TCO-9131B
254	V205	1405-001082	VARISTOR;5.6V,20A,1x0.5x0	VC040205X150R
255	V206	1405-001093	VARISTOR;14V,20A,1x0.5x0.	VC040214X300
256	V208	1405-001093	VARISTOR;14V,20A,1x0.5x0.	VC040214X300
257	V220	1405-001093	VARISTOR;14V,20A,1x0.5x0.	VC040214X300
258	V221	1405-001093	VARISTOR;14V,20A,1x0.5x0.	VC040214X300
259	V491	1405-001082	VARISTOR;5.6V,20A,1x0.5x0	VC040205X150R
260	V501	1405-001082	VARISTOR;5.6V,20A,1x0.5x0	VC040205X150R
261	V503	1405-001082	VARISTOR;5.6V,20A,1x0.5x0	VC040205X150R
262	V504	1405-001082	VARISTOR;5.6V,20A,1x0.5x0	VC040205X150R
263	V505	1405-001082	VARISTOR;5.6V,20A,1x0.5x0	VC040205X150R
264	ZD202	0406-001104	DIODE-TVS;ESDA6V1-5W6,6.1	ESDA6V1-5W6
265	ZD203	0406-001084	DIODE-TVS;SMF05,6/-/-V,20	SMF05.TB
266	ZD501	0406-001084	DIODE-TVS;SMF05,6/-/-V,20	SMF05.TB

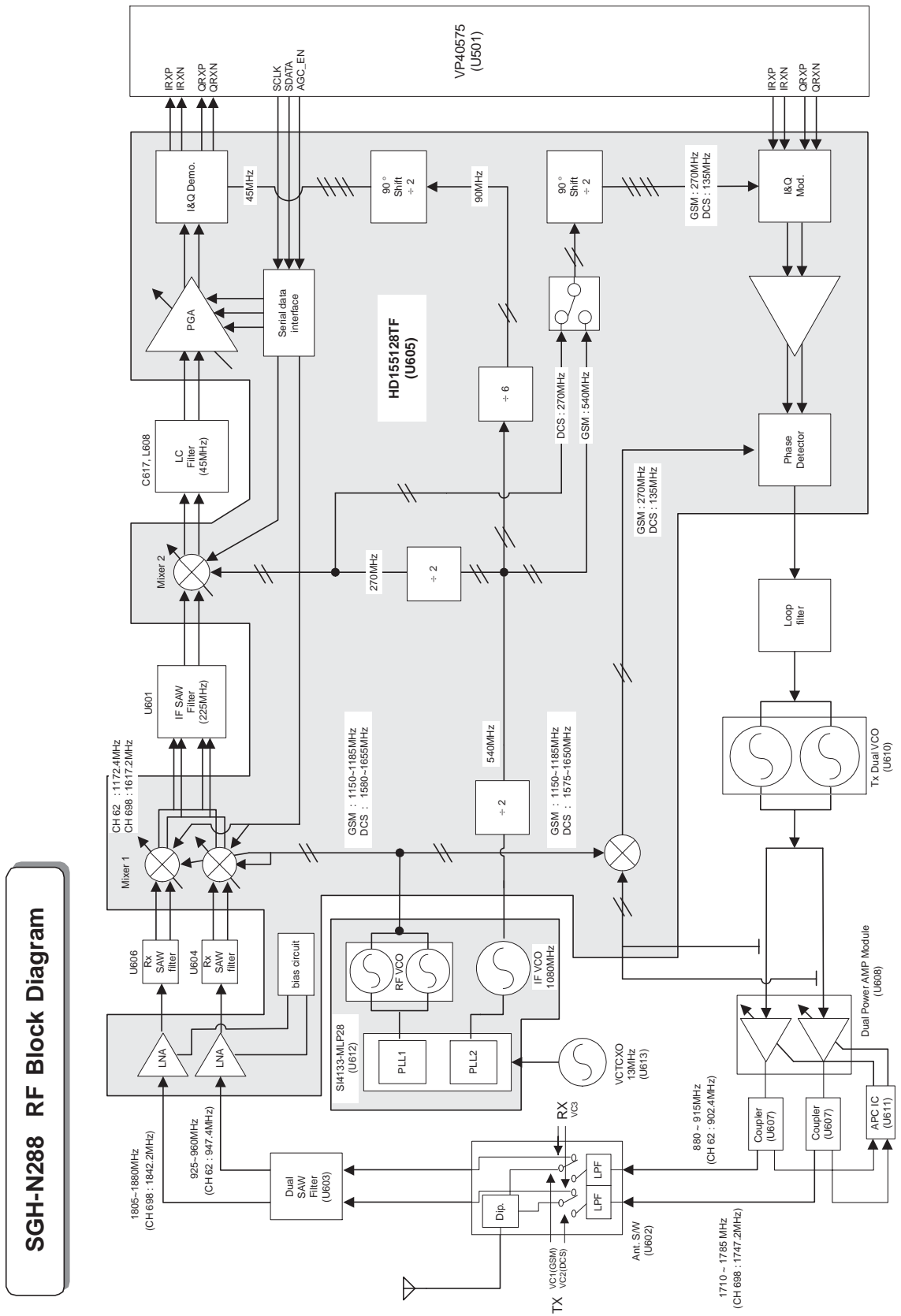
# 4. Block Diagrams

## 4-1 Main Base Band





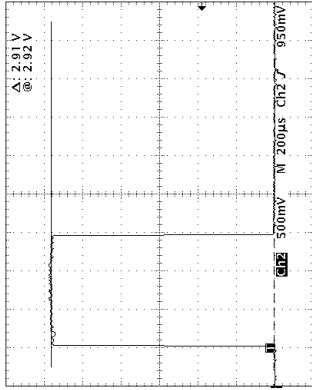
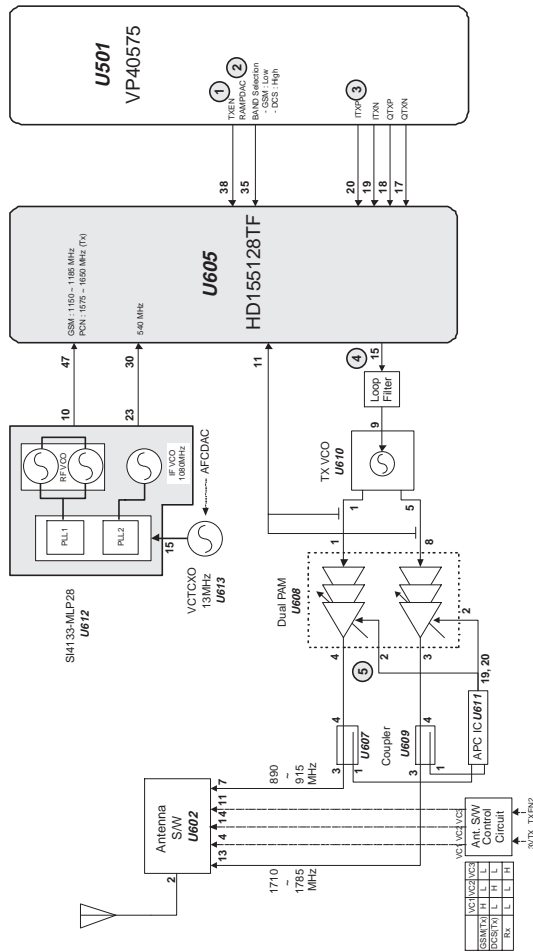
## 4-2 Main RF



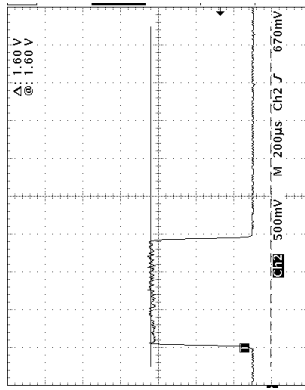
# 4-2-1 RF Tx Part

## SGH-N288 RF Block Diagram - Tx Part

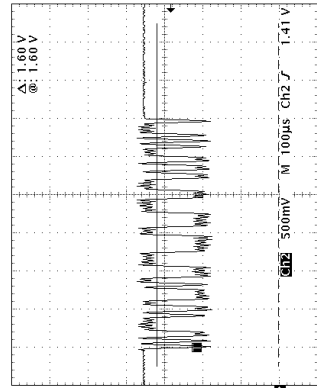
- GSM : Tx level 5 @ 60 CH
- DCS : Tx level 0 @ 698 CH



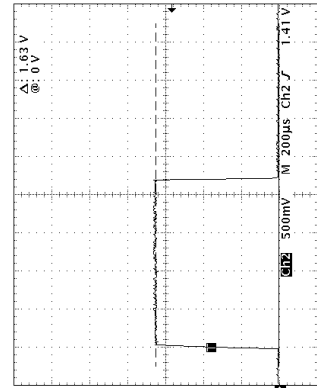
①



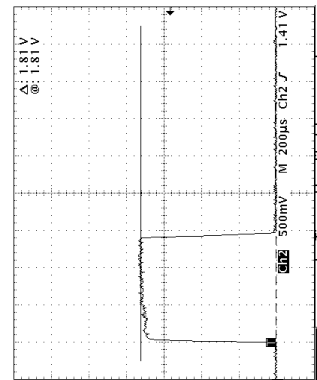
②



③



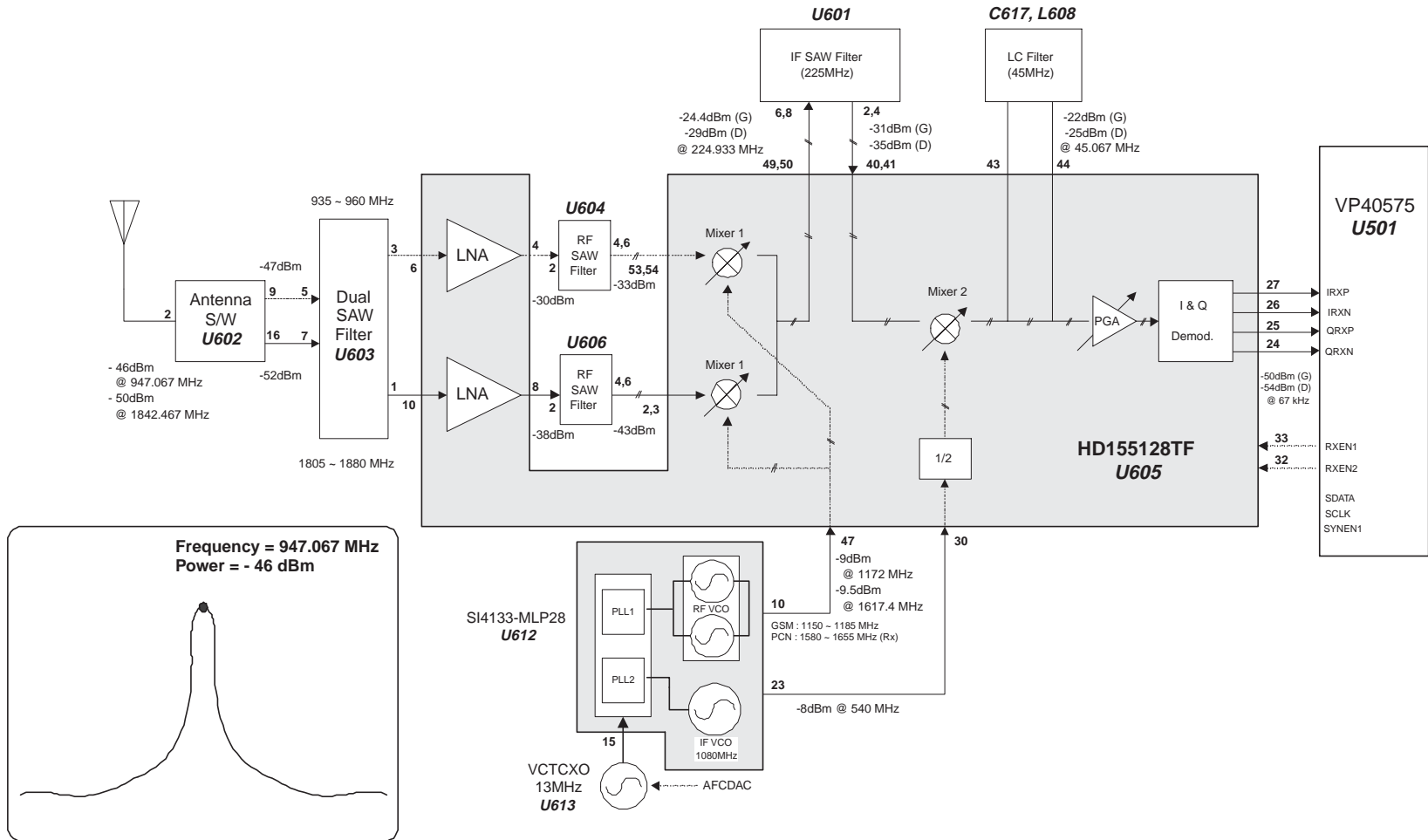
④



⑤

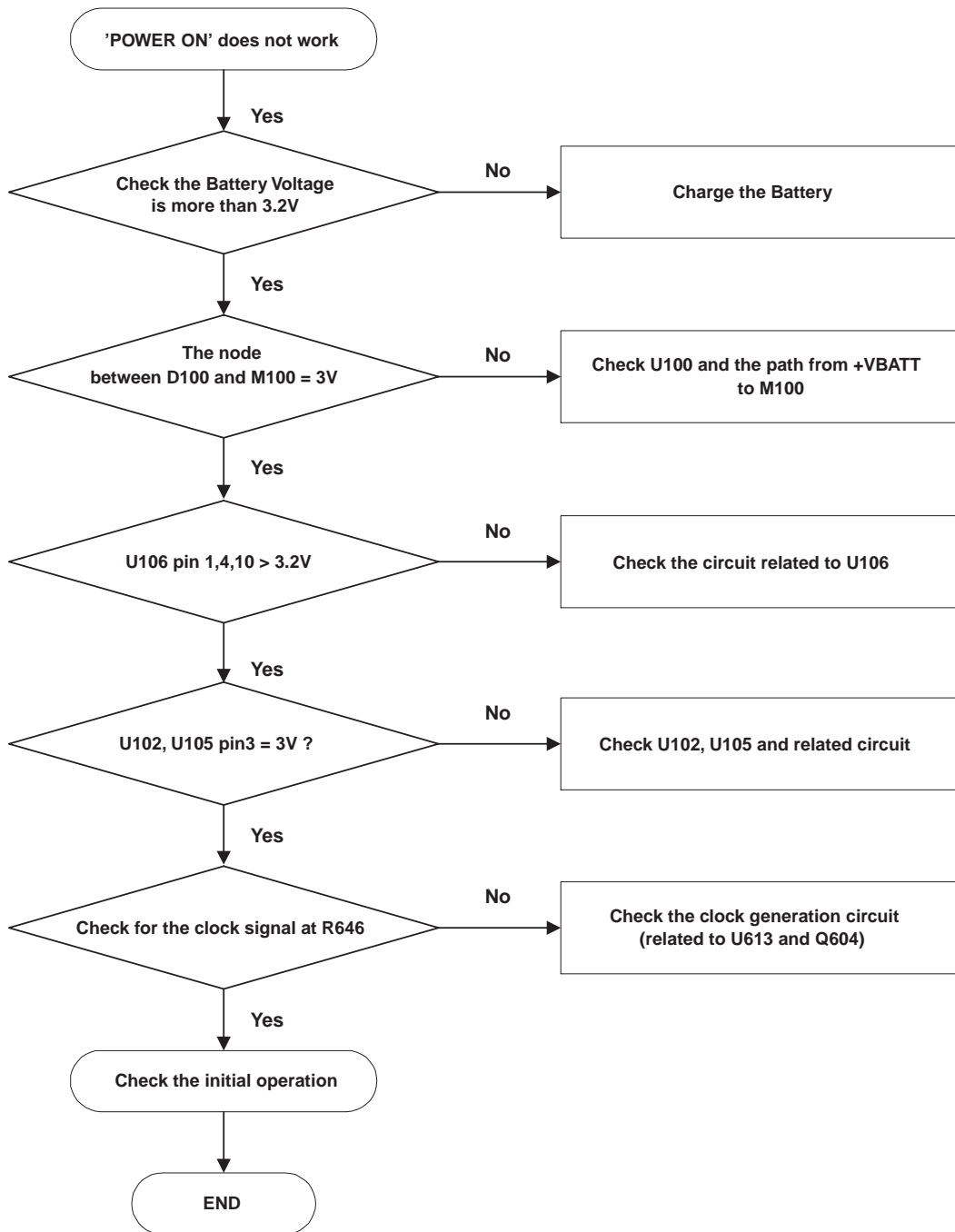
**SGH-N288 RF Block Diagram - Rx Part**

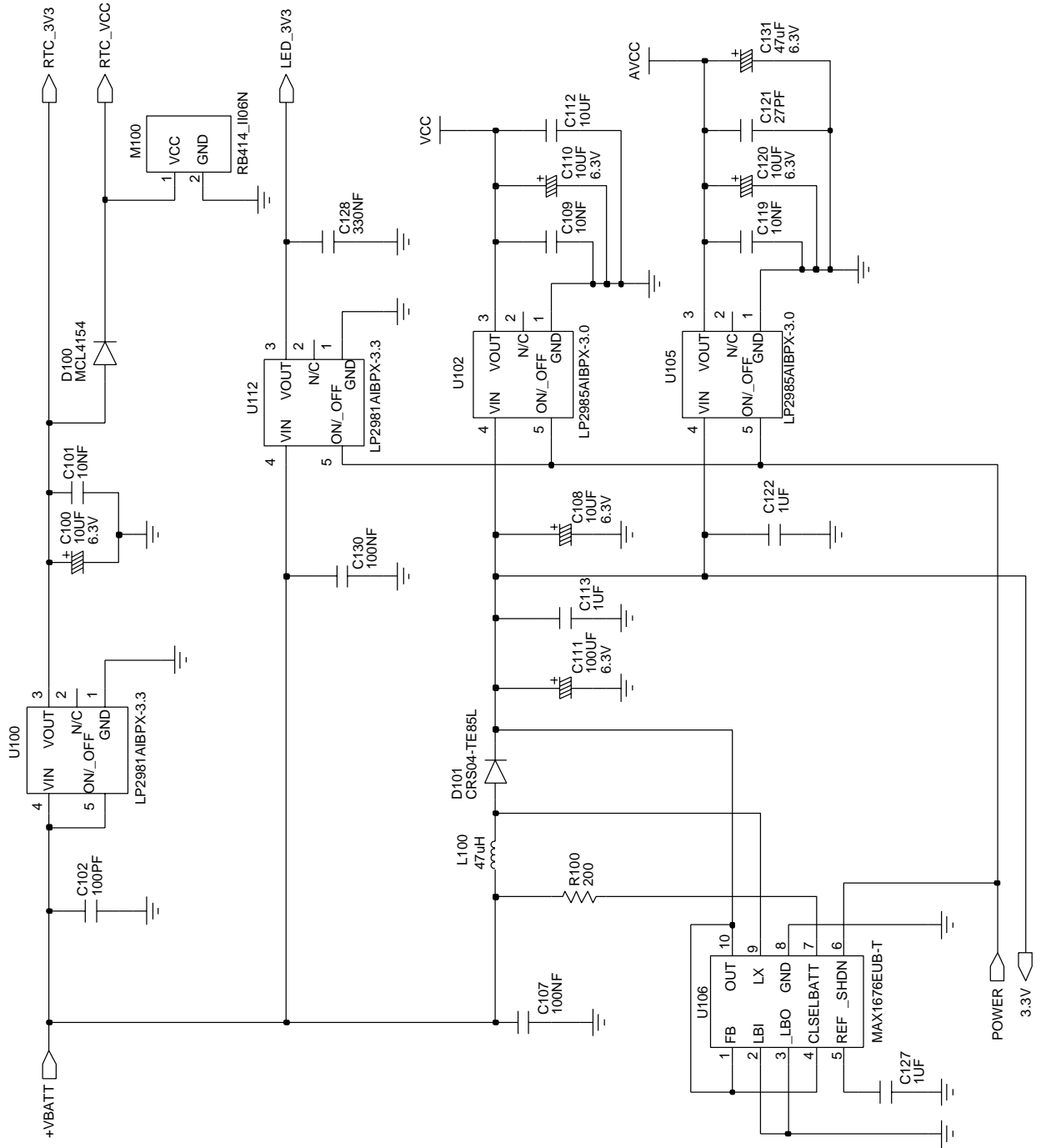
- GSM : Tx level 5 @ 60 CH, BS Power = - 40 dBm
- DCS : Tx level 0 @ 698 CH, BS Power = - 40 dBm



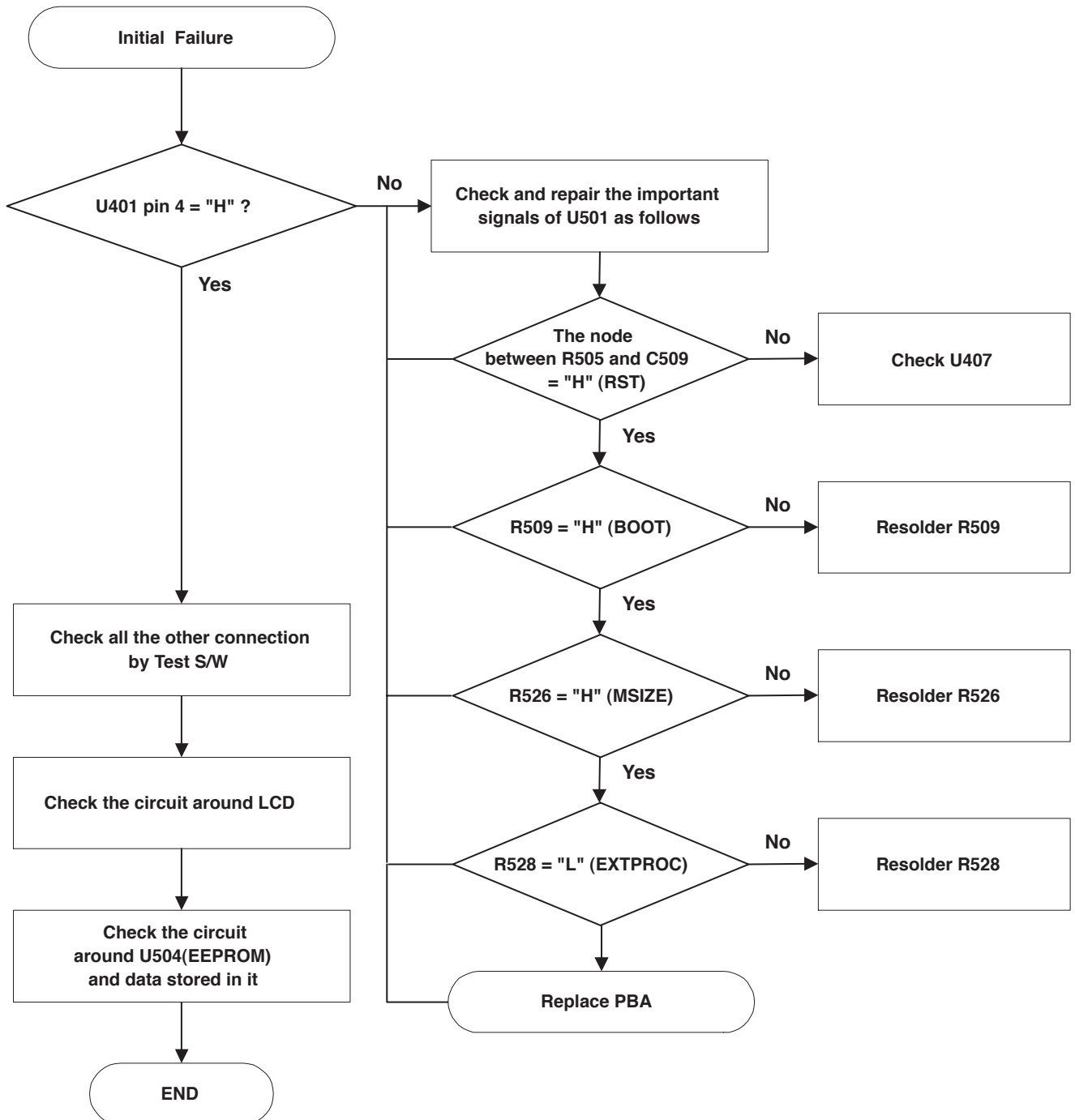
# 5. Flow chart of trouble shooting

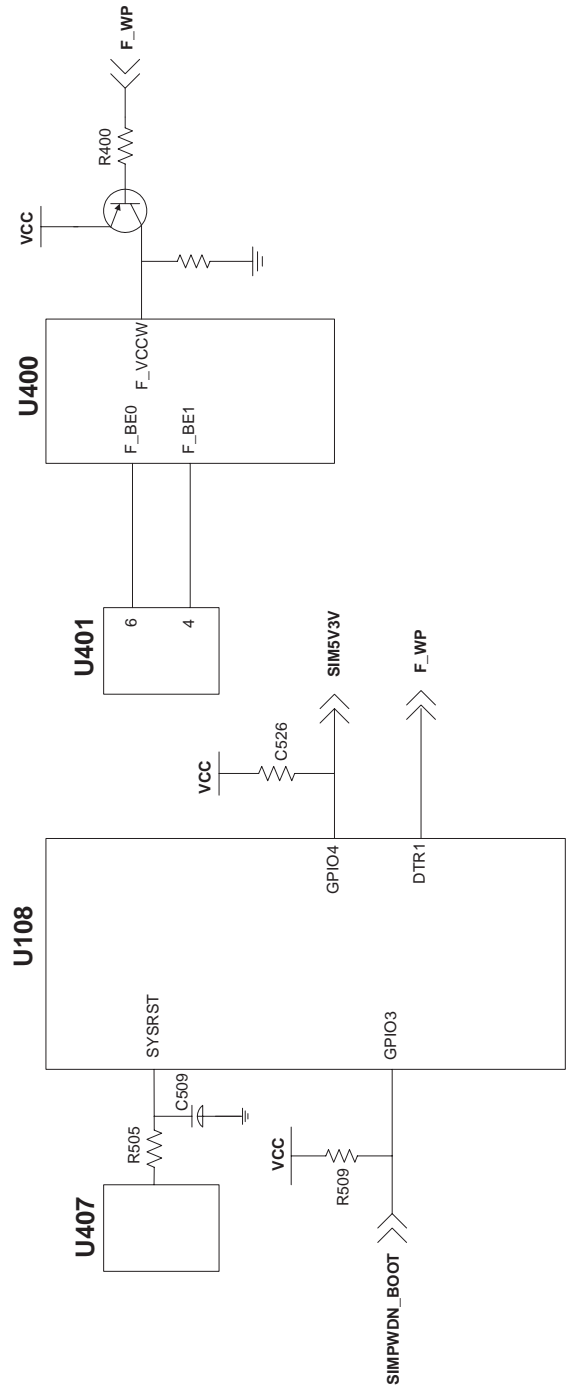
## 5-1 Power ON



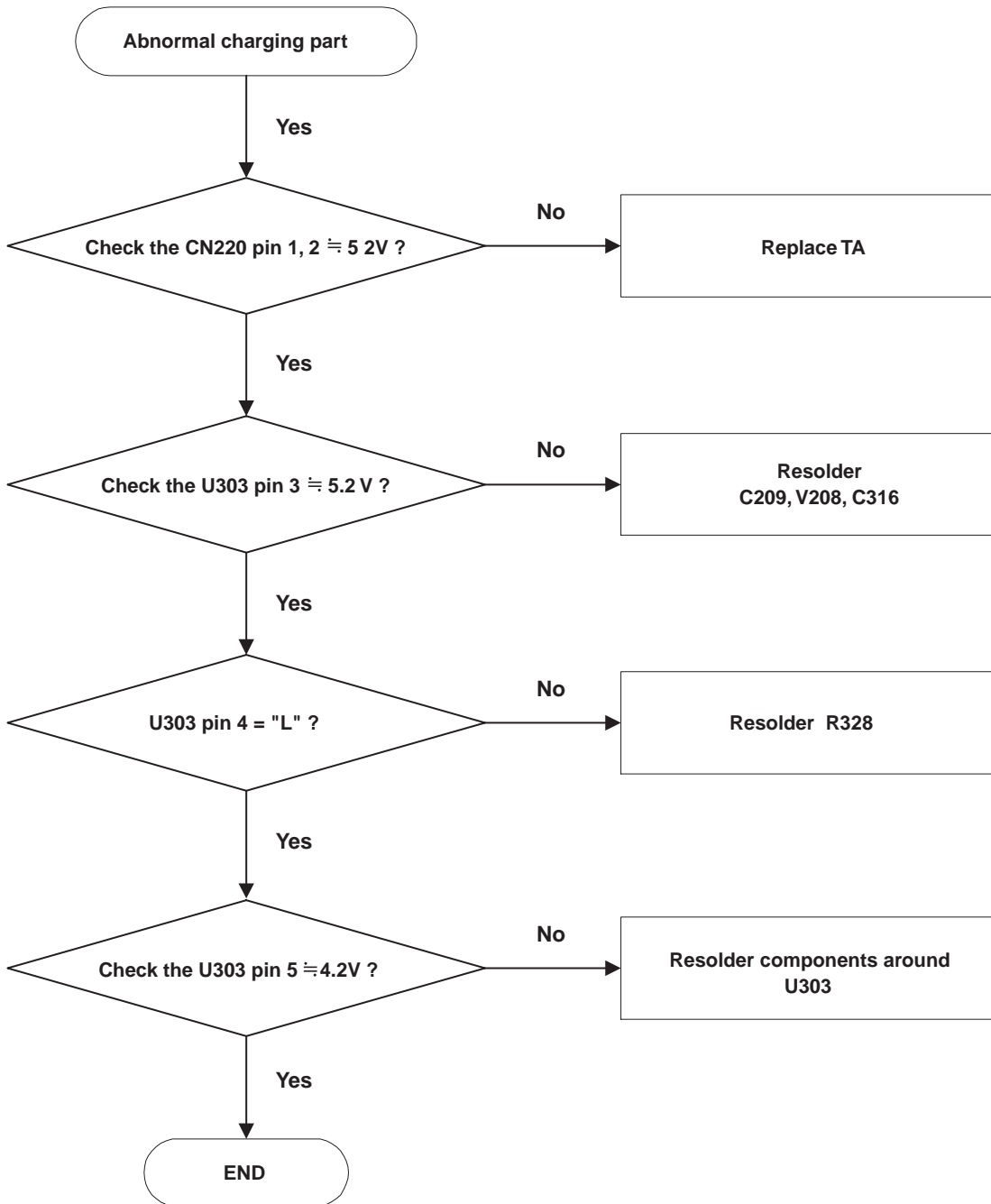


## 5-2 Initial

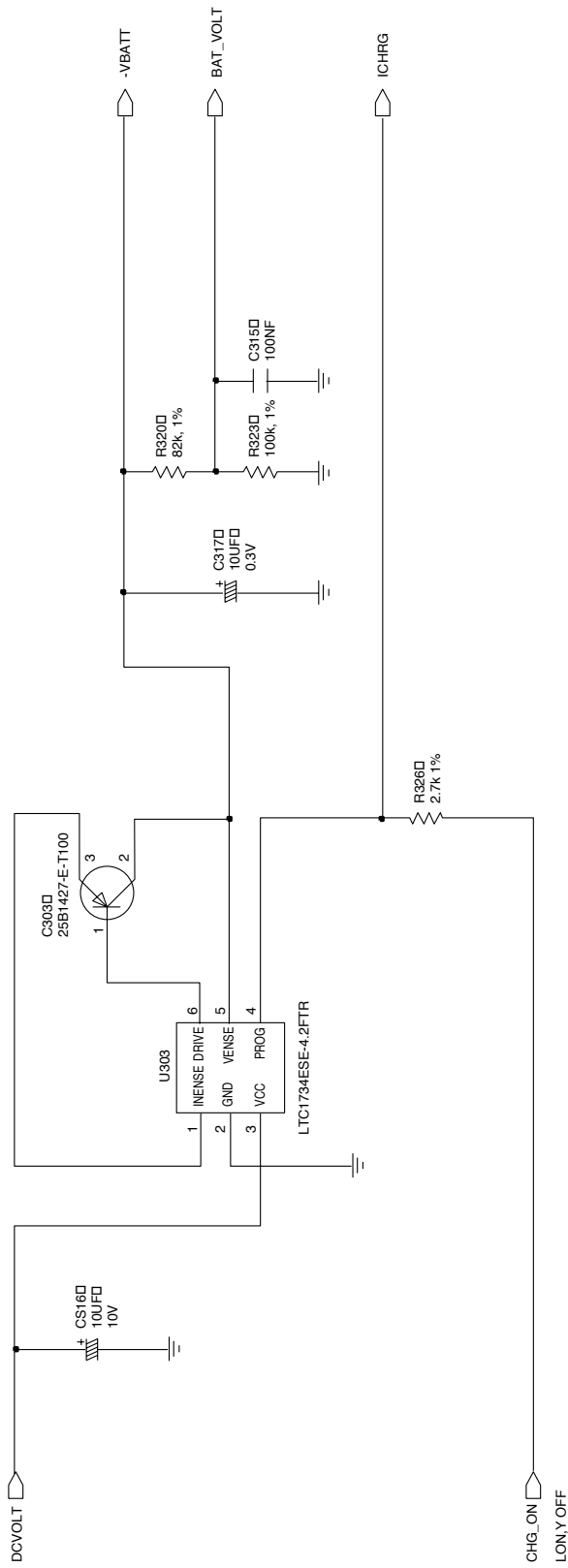




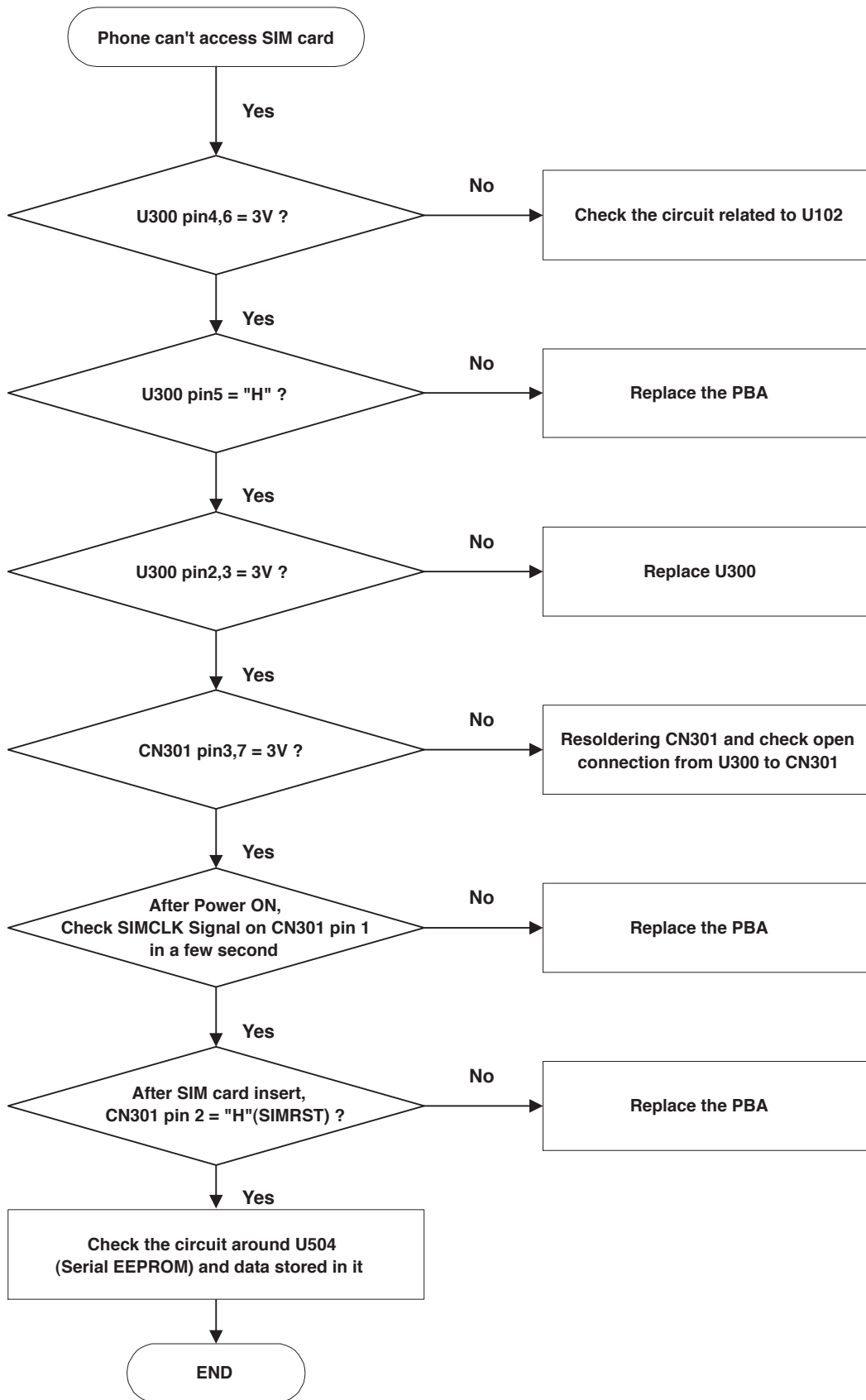
## 5-3 Charging Part

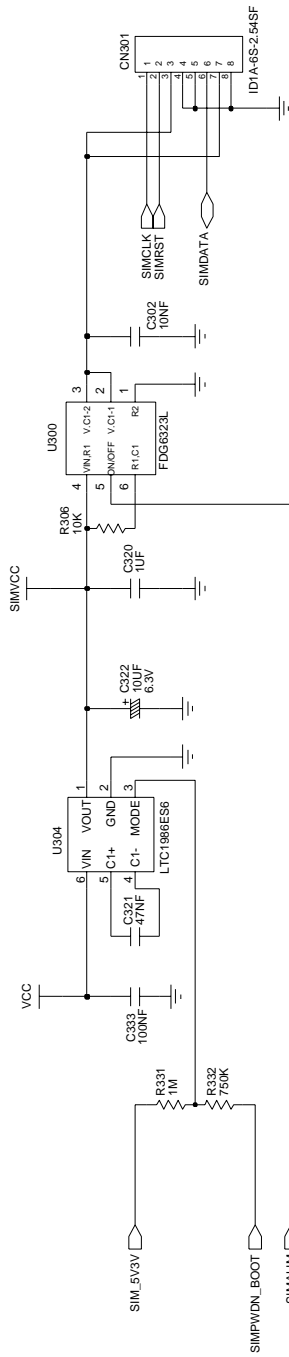




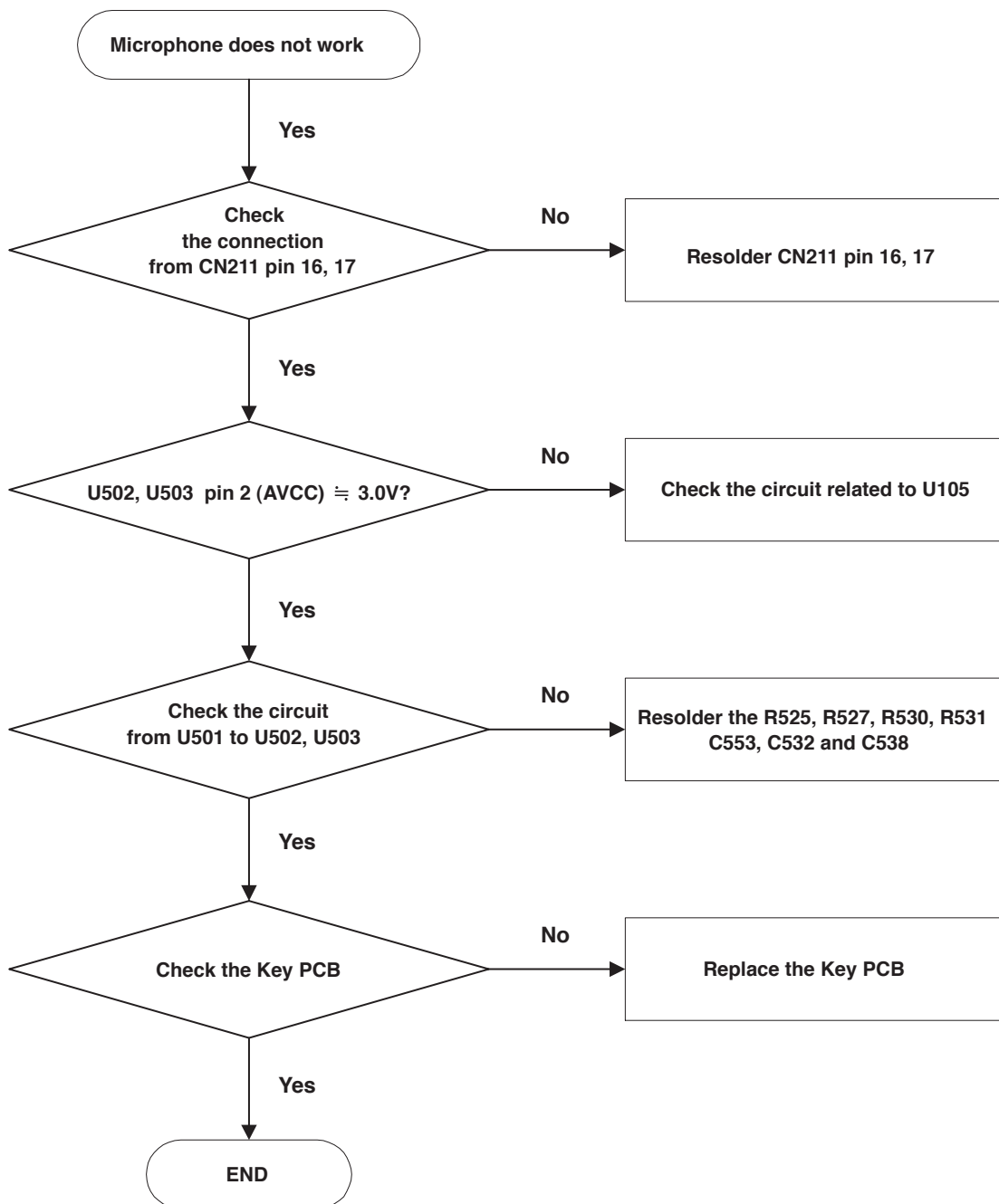


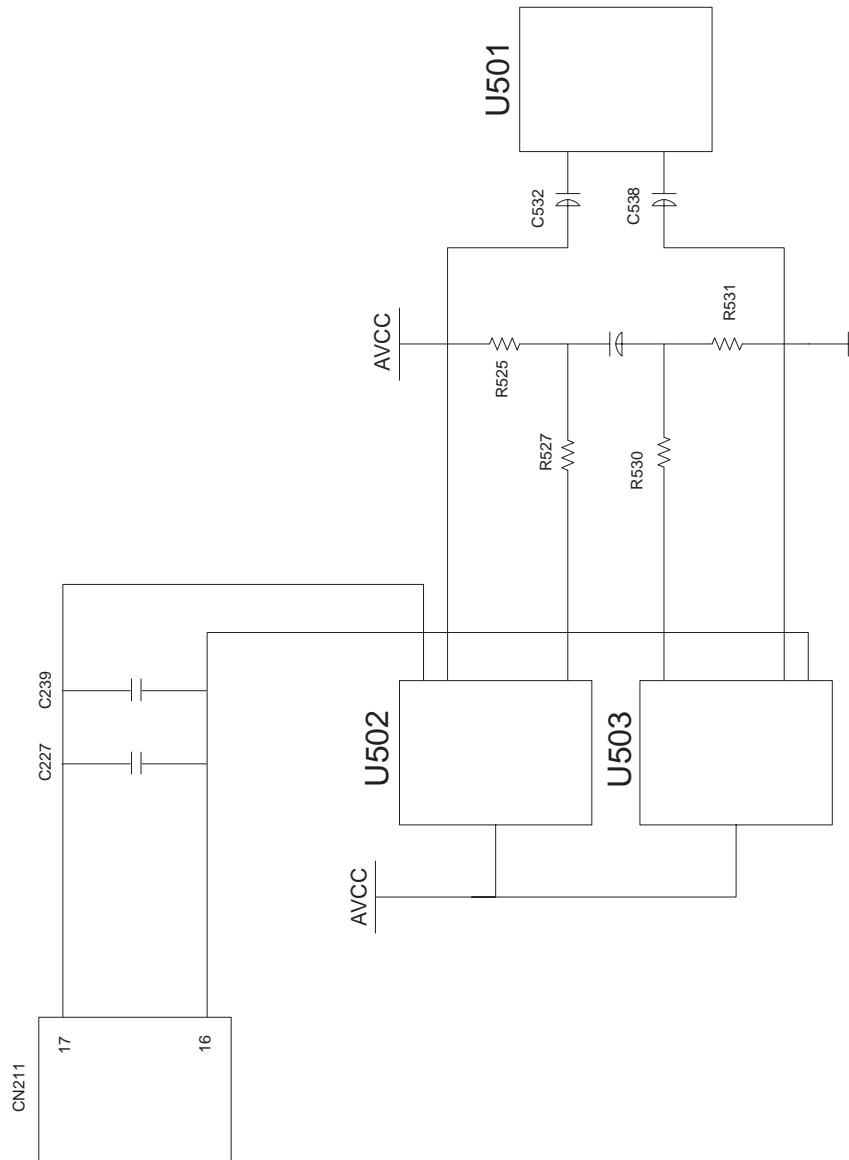
## 5-4 Sim Part





## 5-5 Microphone Part

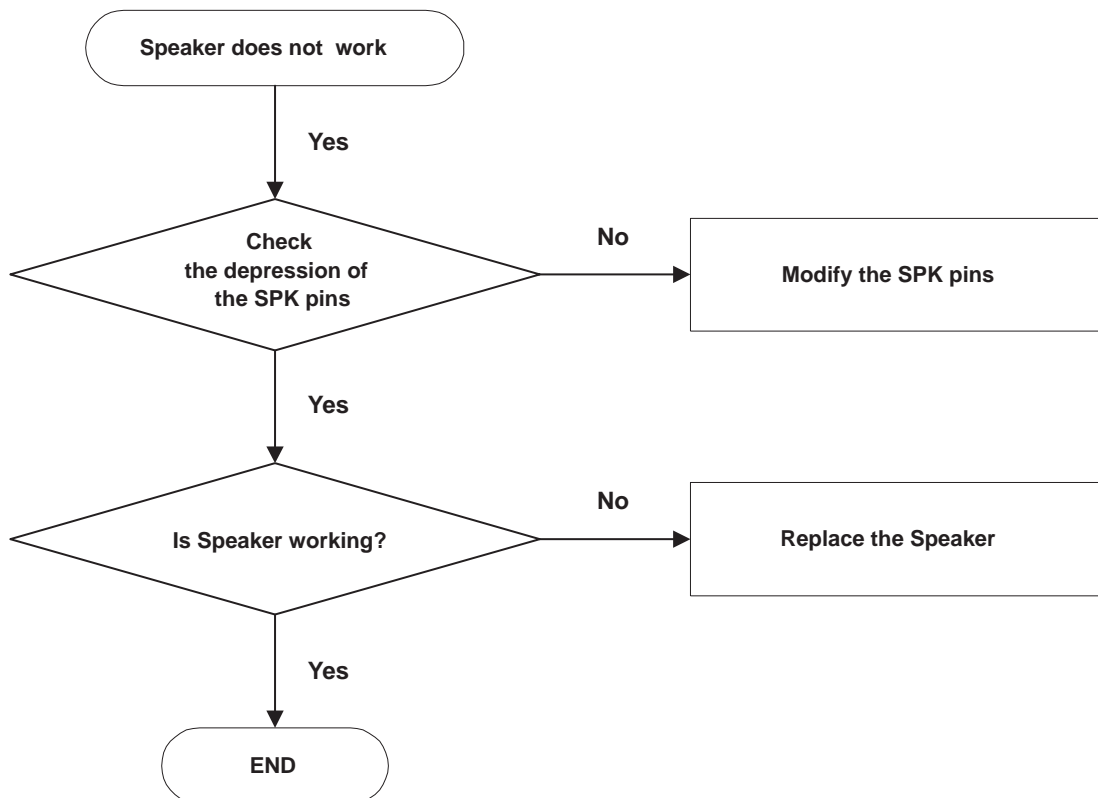




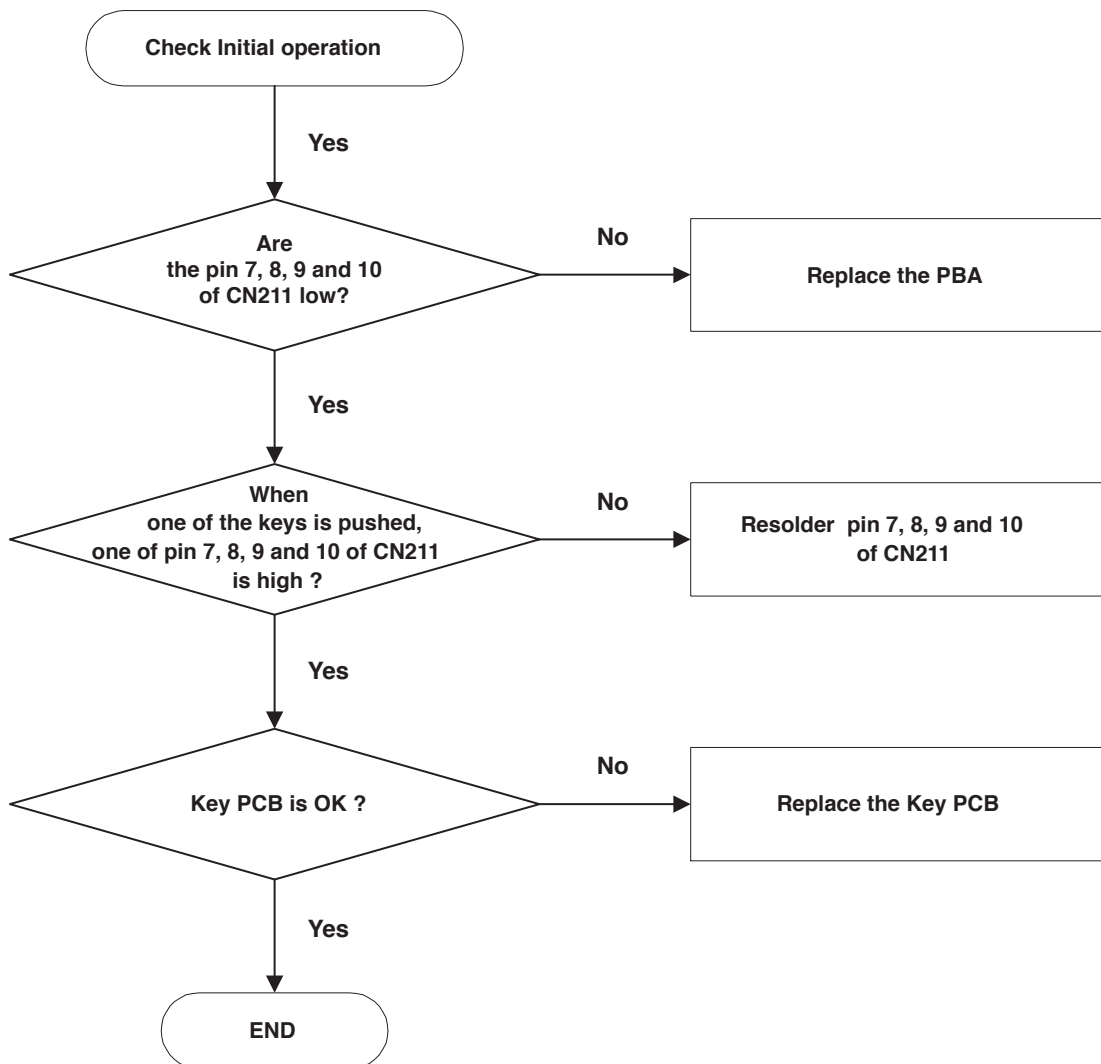
---

## 5-6 Speaker Part

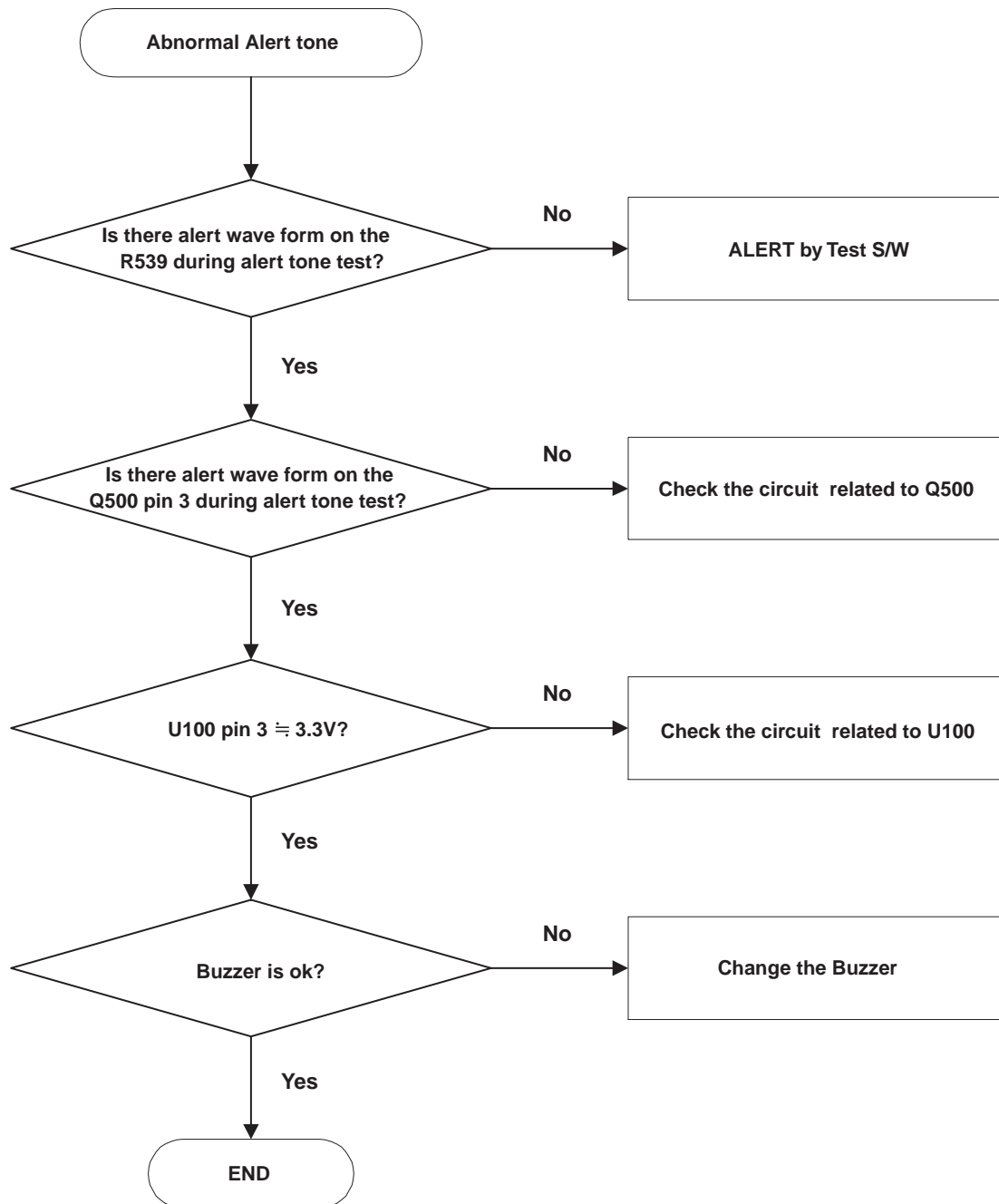
---



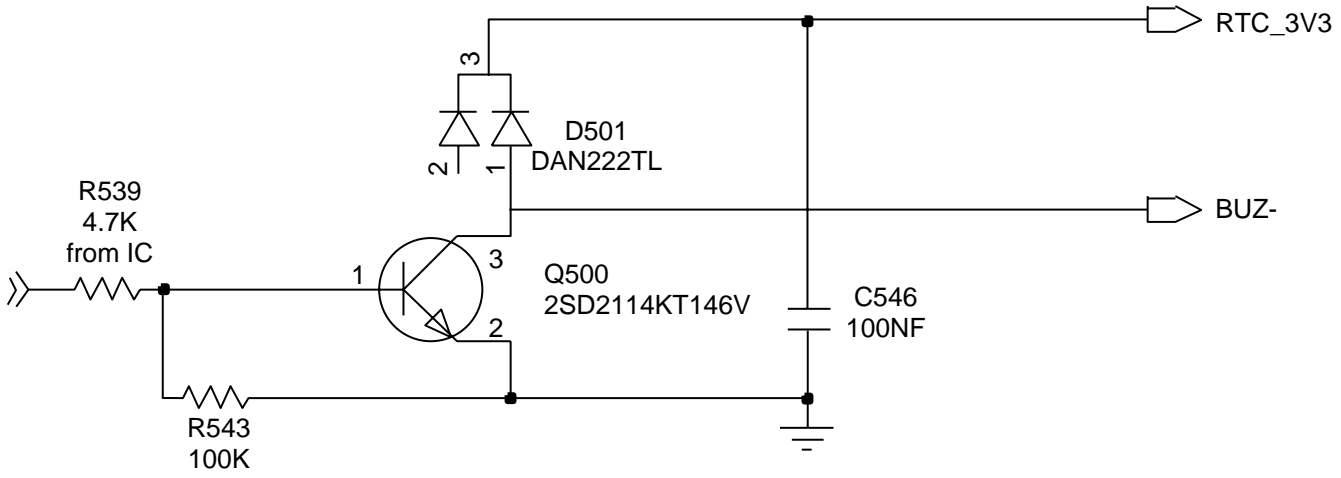
## 5-7 Key Data Input



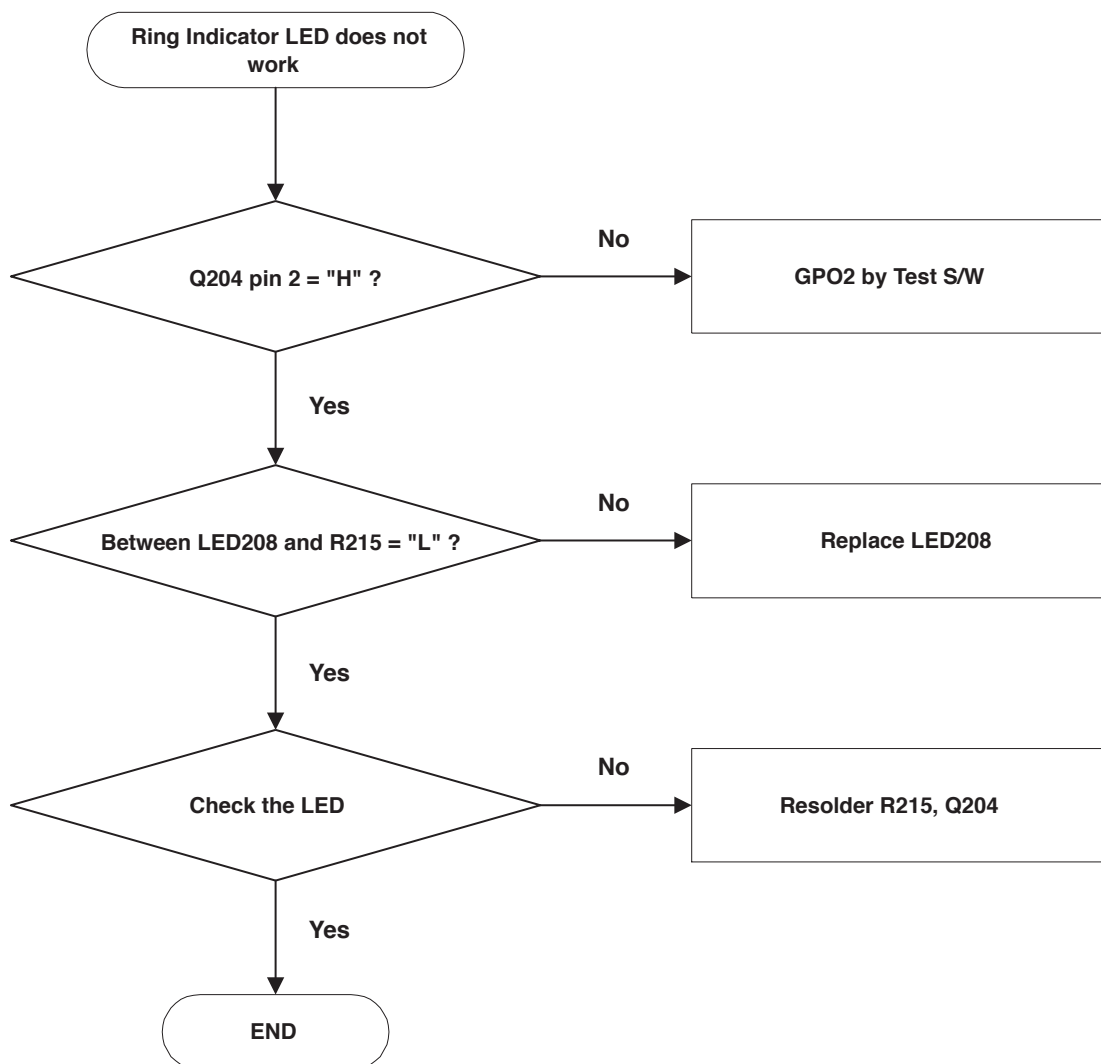
## 5-8 Alert tone

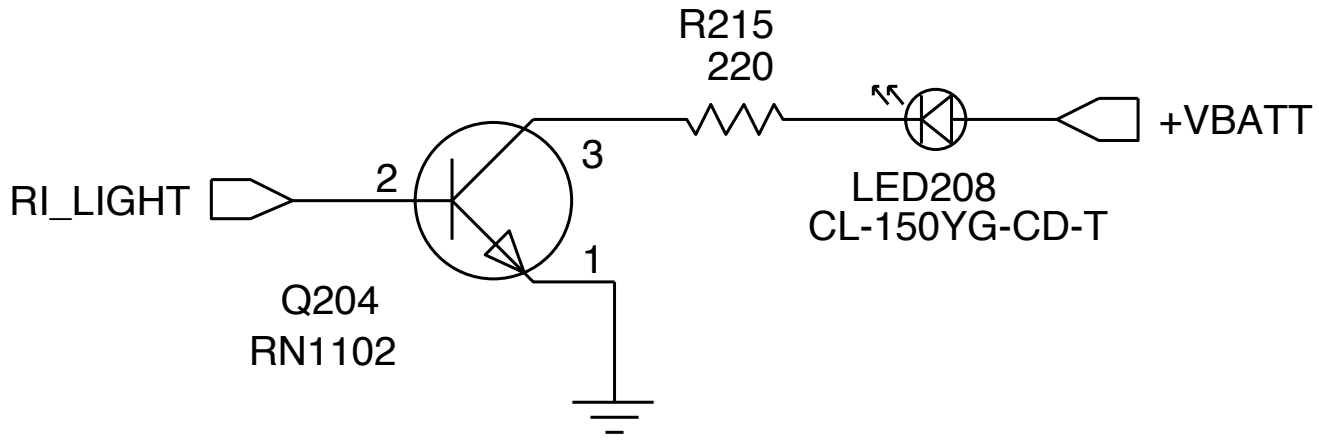




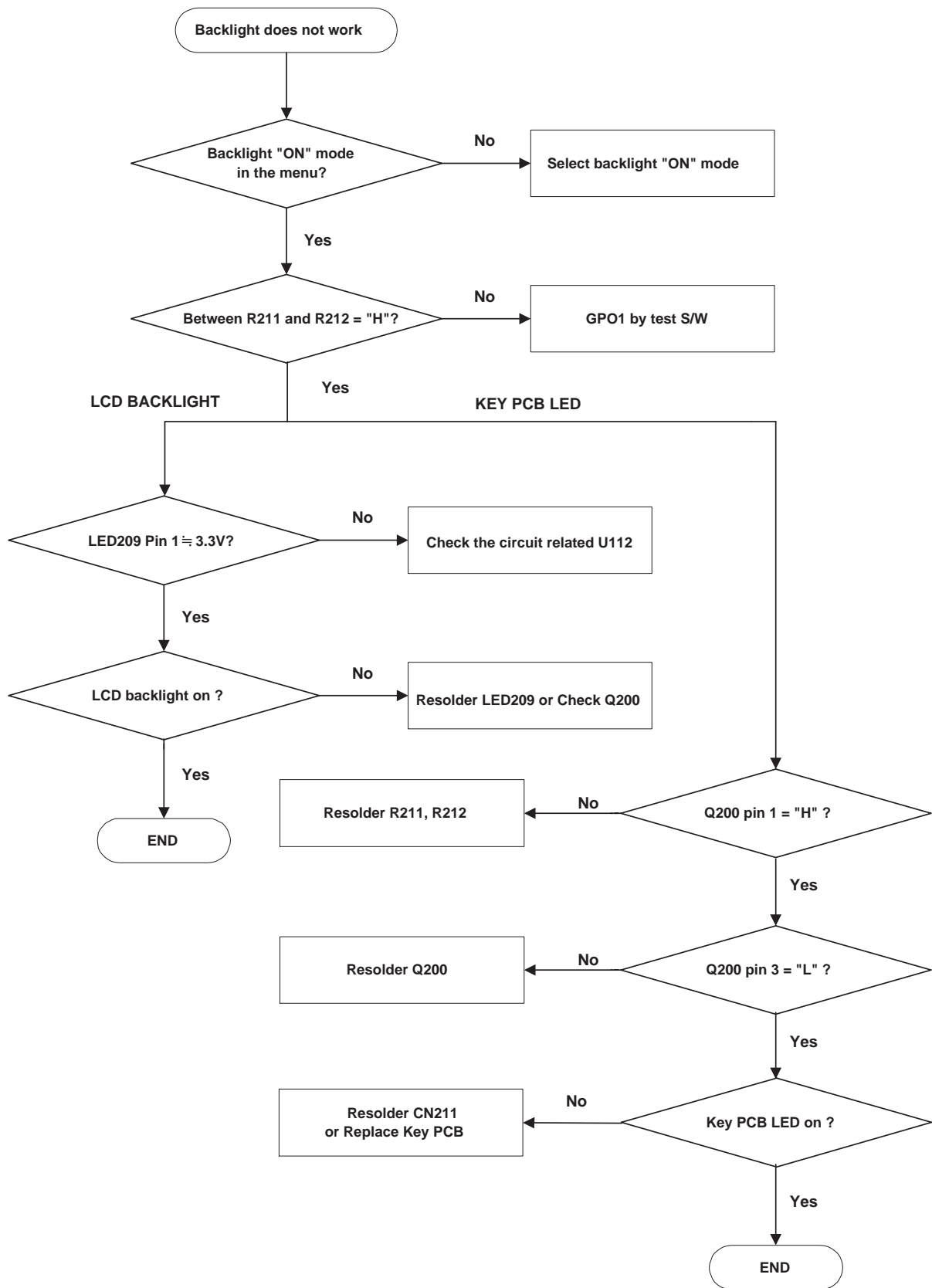


## 5-9 Ring Indicator

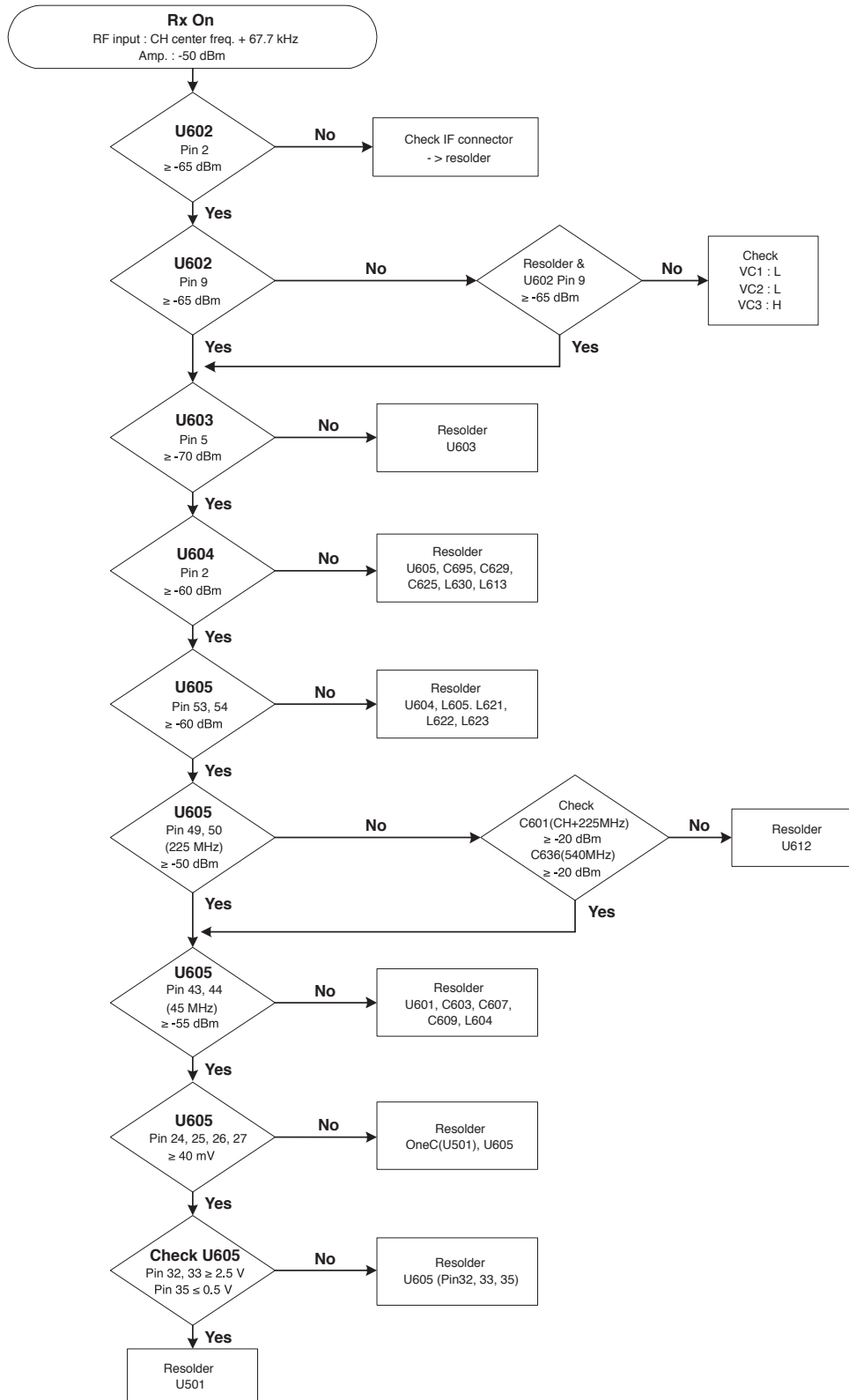




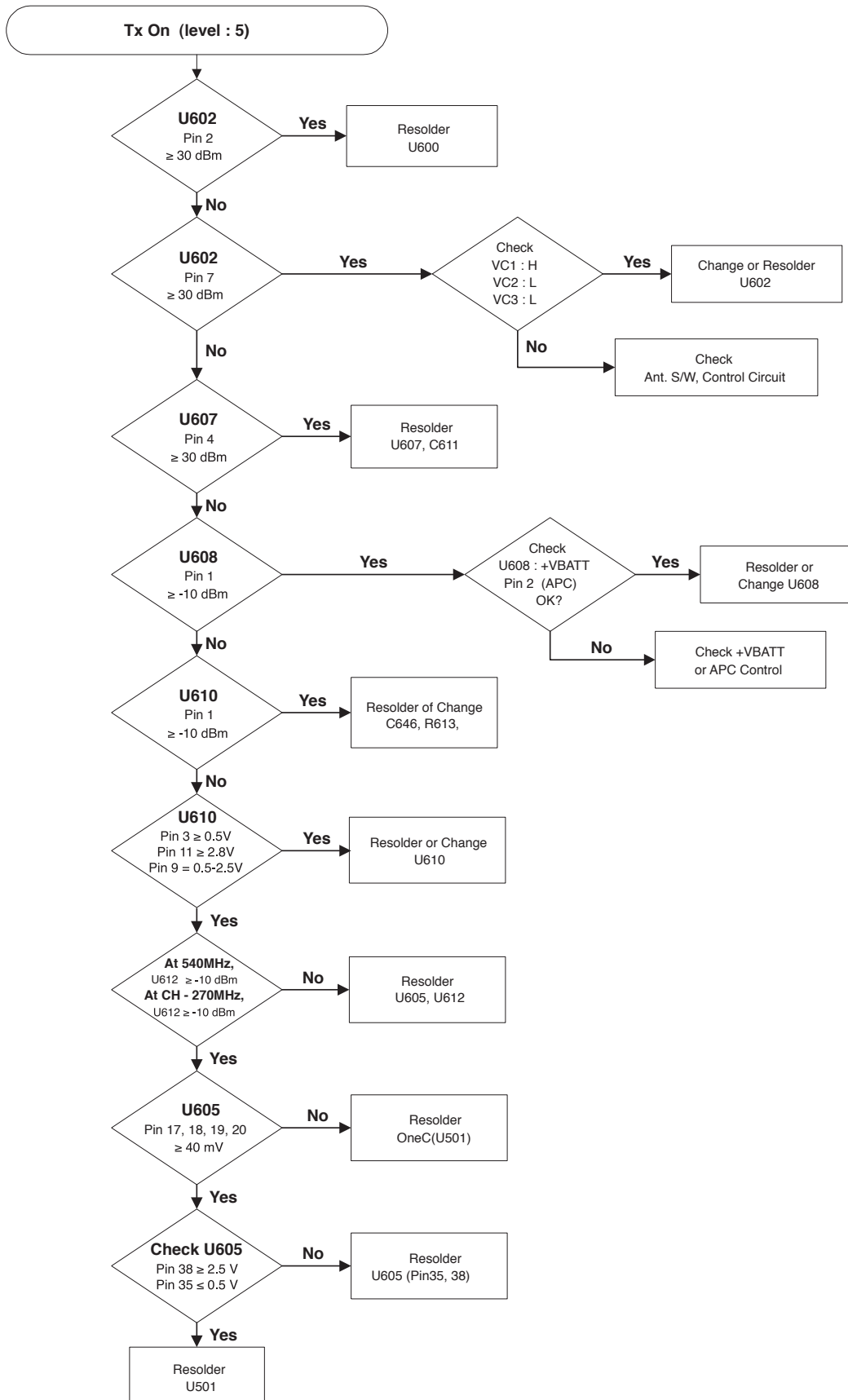
## 5-10 Back Light



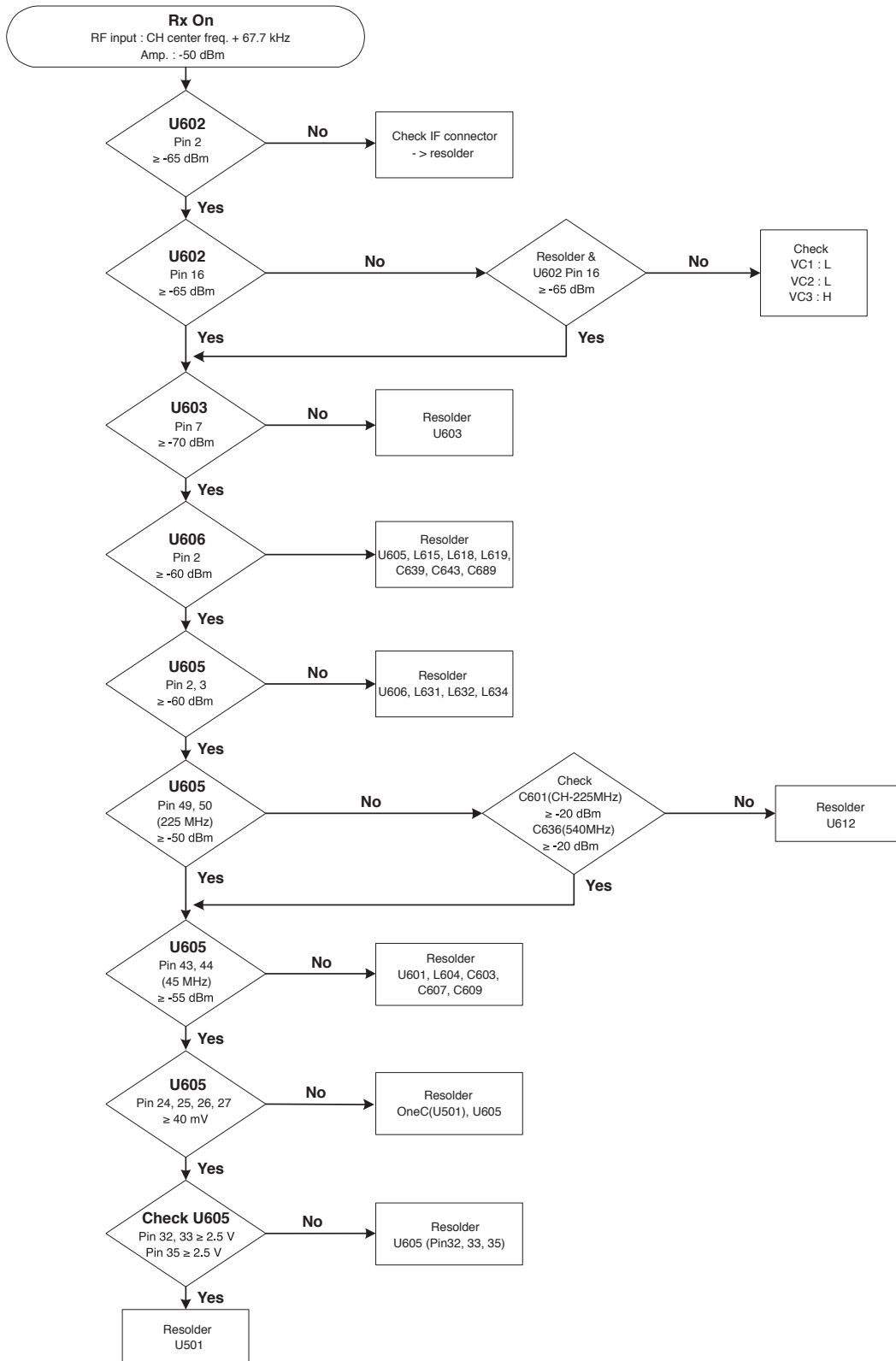
# 5-11 GSM Receiver



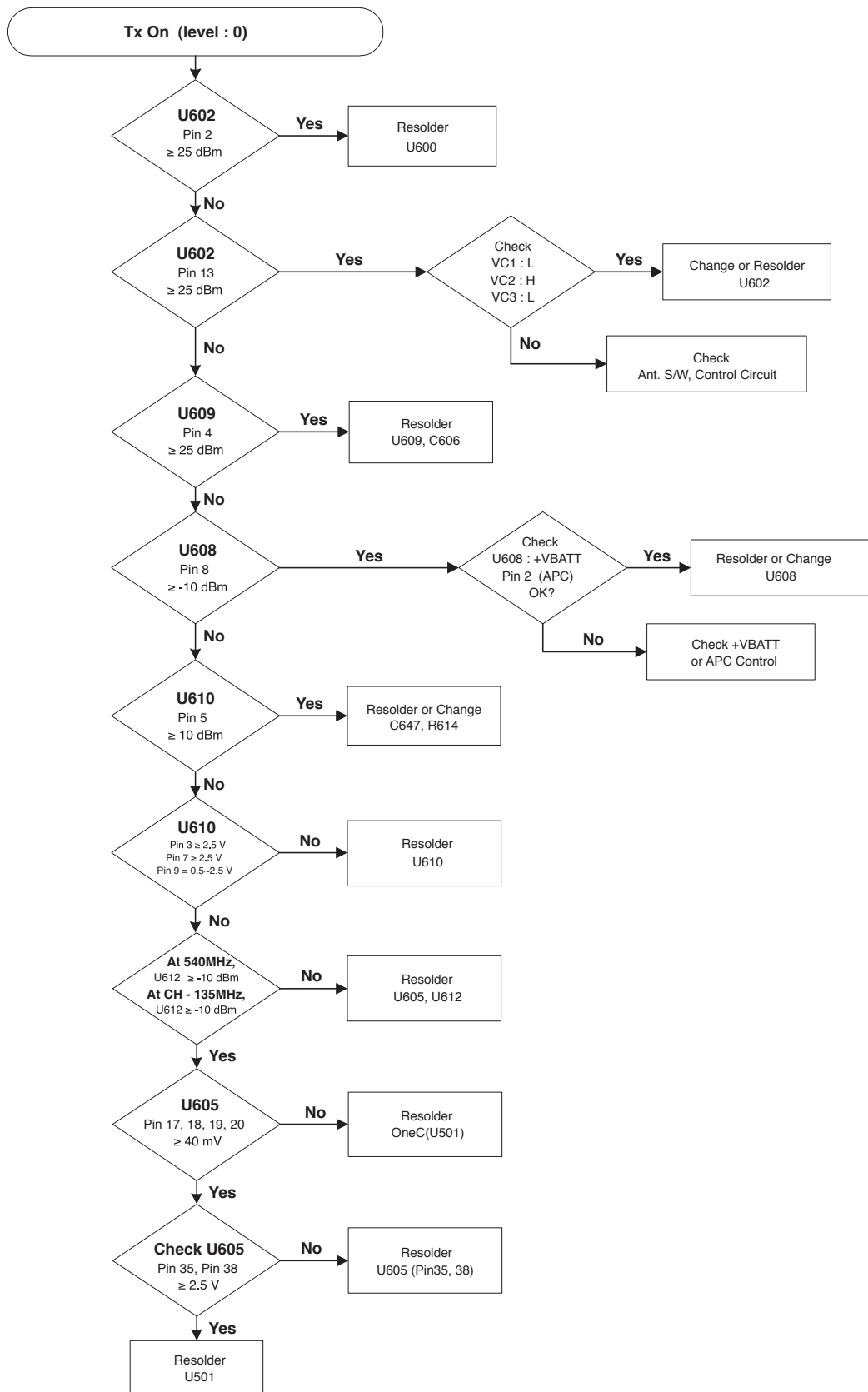
## 5-12 GSM Transmit



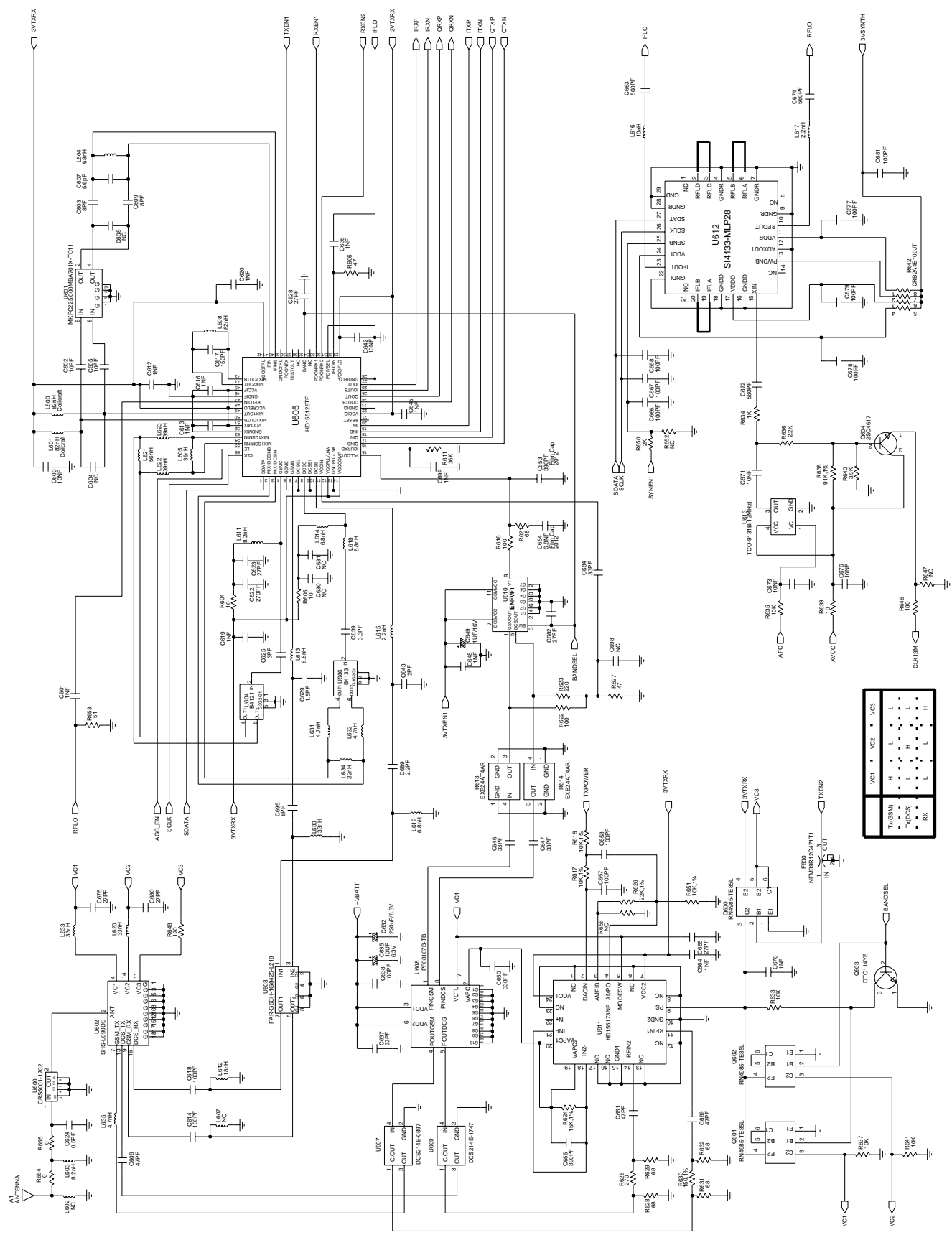
# 5-13 DCS Receiver



## 5-14 DCS Transmit







	VCC1	VCC2	VCC3
TV(GSM)	H	H	L
V(DCS)	H	H	L
RX	L	L	H